



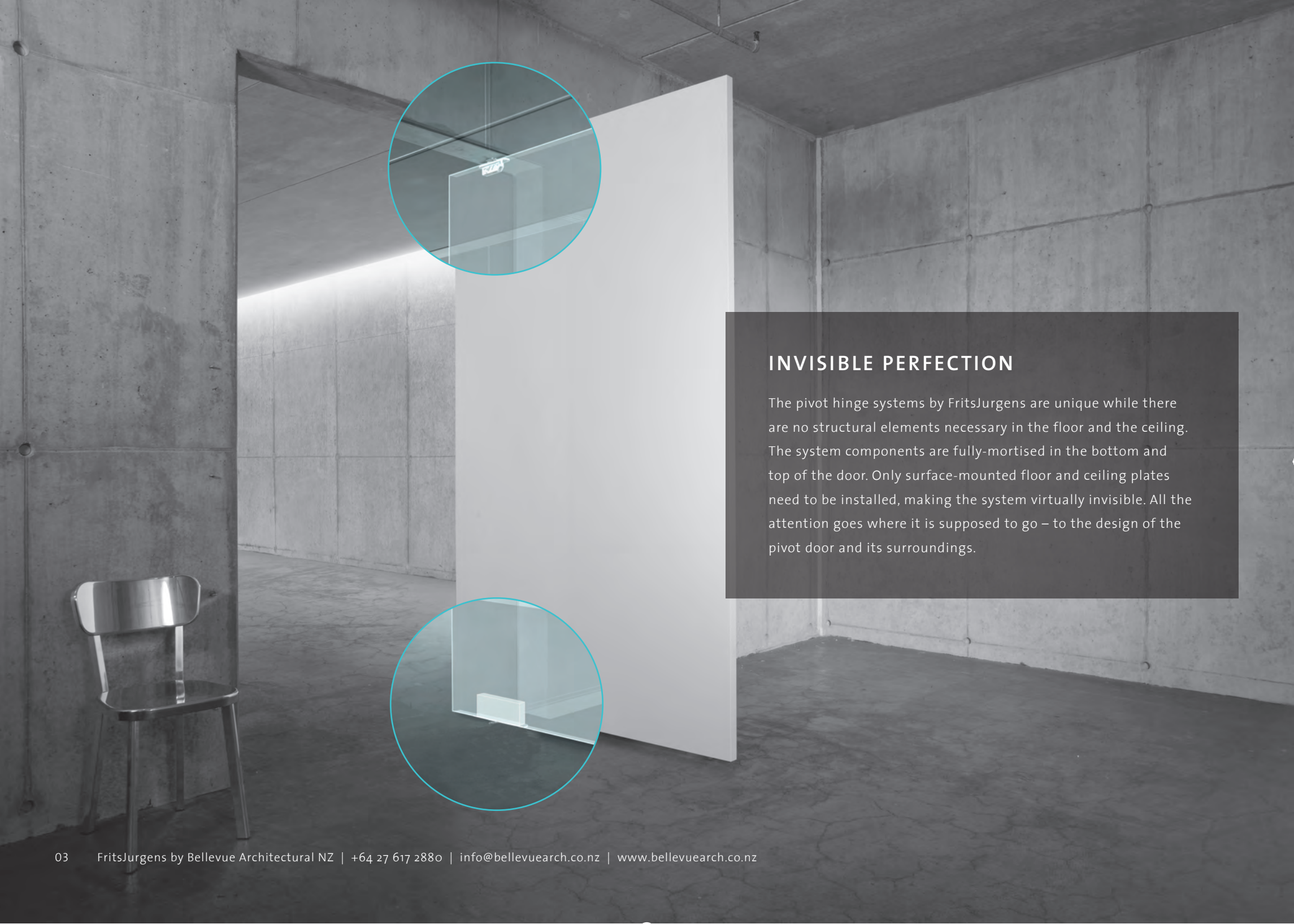
FritsJurgens®

TECHNICAL DOCUMENTATION

INTRODUCING THE M32/42+ RANGE

INDEX

01		02		03		04	
Why FritsJurgens		Door specifications		System Specification		Accessories	
Invisible perfection	3	8 mm into the floor	7	Positioning of the systems	11	Top pivot - Cable Grommet	39
Unlimited design	4	Gaps around the door	8	Compare all systems	12	Flush	41
FlowMotion®	5	Min. 40 mm door thickness	9	Functions	13	Hexagon Guide	43
Timeless quality	6	Doors between 20 - 500 kg	10	Movement	14	Axle Wrench	45
		Pressure load	37				
		Lateral force	38				
05		06		07		08	
System M+ Single & Double Action with Latch		System M Single & Double Action No Latch		System 3 Center Mount 360 Swing		System One Free Swinging	
Specifications	15	Specifications	15	Specifications	27	Specifications	33
Movement	18	Movement	18	Technical drawing	29	Technical drawing	35
Technical drawing	20	Technical drawing	22	Model selector	30		
Design options	23	Design options	23				
Model selector	24	Model selector	24				



INVISIBLE PERFECTION

The pivot hinge systems by FritsJurgens are unique while there are no structural elements necessary in the floor and the ceiling. The system components are fully-mortised in the bottom and top of the door. Only surface-mounted floor and ceiling plates need to be installed, making the system virtually invisible. All the attention goes where it is supposed to go – to the design of the pivot door and its surroundings.



UNLIMITED DESIGN

As a professional, you want to create more than just a door. You want to create a design statement. With a FritsJurgens pivot hinge design possibilities are unlimited and, the movement of the door is fluent, whether your door weighs 20 kg or 500 kg.

FritsJurgens pivot hinges are ideal for all kinds of pivot doors – large or small, light or heavy, interior or exterior. Whether in residential or commercial environments, almost any material is possible for your pivot door.

Meeting Centre
Reception
South Tower
Centre Building
Jollie
Parking
Auditorium
North Tower



FLOWMOTION®

Power becomes control

Why constrain power when you can convert it into control? FlowMotion technology puts hydraulic power to use by turning it into a controlled, smooth door movement. This is what makes FlowMotion technology unique. In System M and System M+ the movement of the pivot door is created and controlled by FlowMotion. In heavy and light doors. Unabridged power, full control.



TIMELESS QUALITY

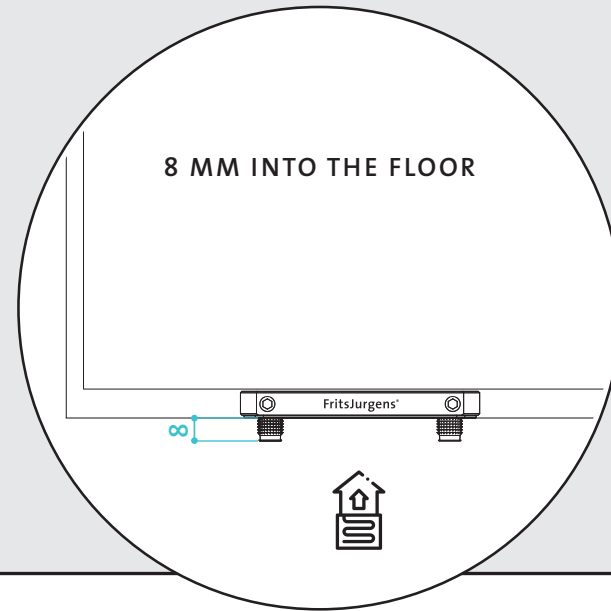
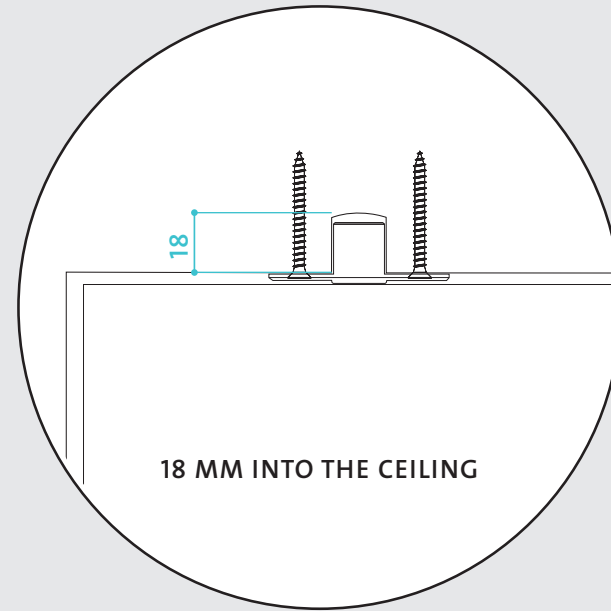
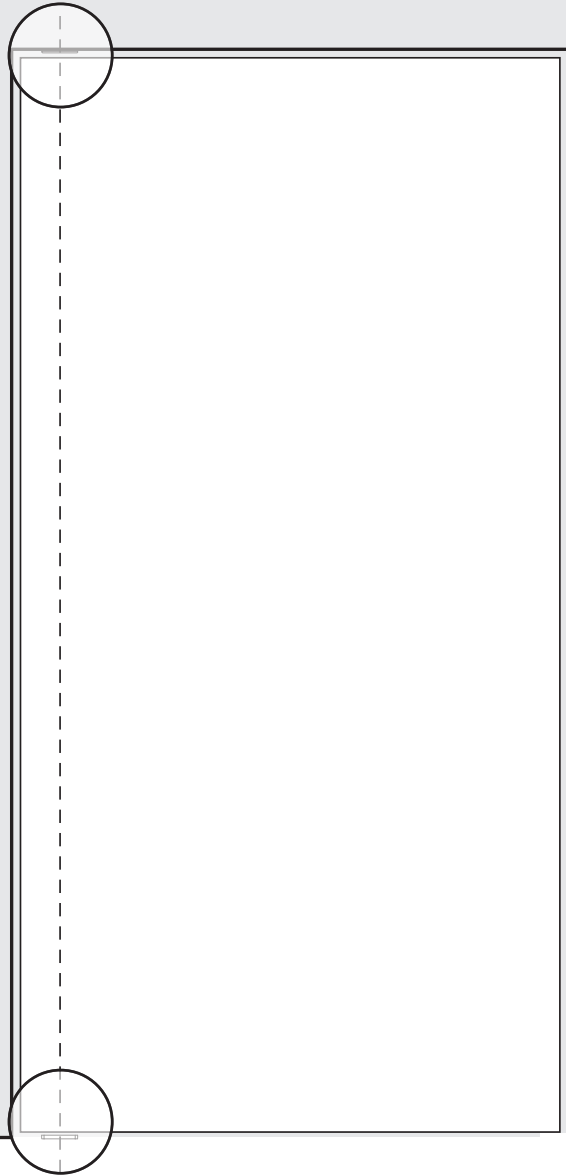
FritsJurgens pivot hinges are virtually indestructible. Built from high-performance materials, the systems are maintenance-free.

Our rigorous testing shows that even after 1 million cycles our systems continue to perform as they were designed, perfectly balancing technology, quality, and aesthetics.

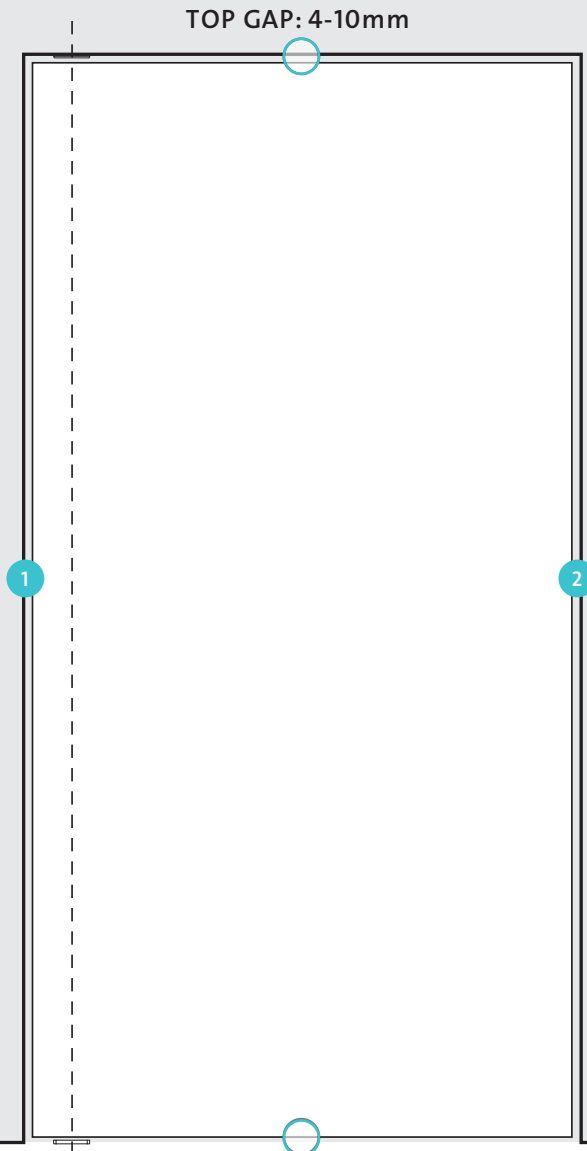
 223
Makro-Grip®
Art. Nr. 47085
Spannweg 85mm

FritsJurgens by Bellevue Architectural NZ | +64 27 617 2880 | info@bellevuearch.co.nz | www.bellevuearch.co.nz

8 MM INTO THE FLOOR, 18 MM INTO THE CEILING



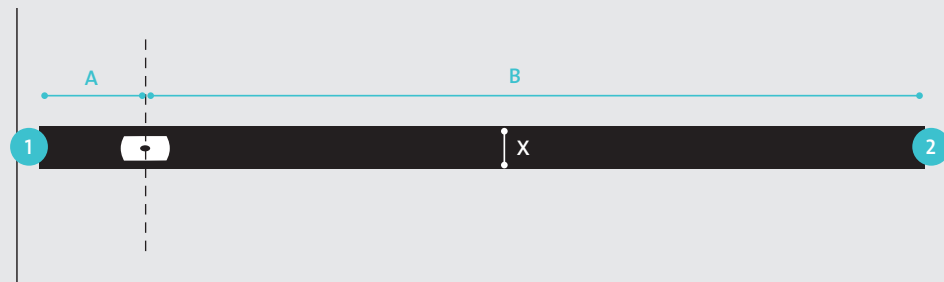
GAPS AROUND THE DOOR



GAP LEFT (1) AND RIGHT (2)

Example for minimum gaps between the door and the wall or jamb:

- X Door thickness 40 mm
- A Distance of pivot point to end of the door 91 mm
- B Distance pivot point to beginning door 1500 mm
- 1 Minimum gap between door and wall 4 mm
- 2 Minimum gap between door and wall 2 mm



A	1			
2000	2	2	2	2
1500	2	2	2	2
1000	2	2	3	3
500	2	3	3	3
250	3	3	4	4
91	4	5	7	9
X ▶	40	50	60	70

B	2			
2000	2	2	2	2
1500	2	2	2	2
1000	2	2	3	3
500	2	3	3	3
250	3	3	4	4
91	4	5	7	9
X ▶	40	50	60	70

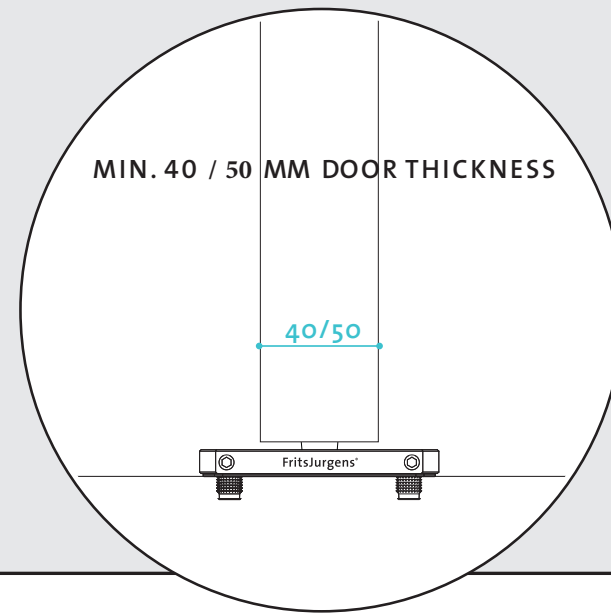
When $X > 70$ mm, please go to the online gap calculation tool on top of this page. Dimensions in mm. Based on straight angles. The dimensions are indicative. No rights can be derived from it.

BOTTOM GAP: 11 mm (M+/M) 13 mm (3/ONE)

The minimum gap at the side of the door depends on the thickness (X) and the width of the door in relation to the positioning of the hinge (A and B). Important: the minimum distance from the pivot point of the hinge to the edge of the door (A) is 91 mm. There is no need to add extra space for installing (2 mm tolerance is included).

MINIMUM DOOR THICKNESS 40 MM

M₃₂/M₃₂+ | 40mm
M₄₂+ | 50mm



Since the FritsJurgens pivot hinges have a thickness of 32 mm (or 42 mm) they can be used in doors with a minimum thickness of 40 mm. This makes FritsJurgens systems suitable for doors of virtually any size and material, giving designers the freedom to design the ultimate pivot door.

FritsJurgens by Bellevue Architectural NZ | +64 27 617 2880 | info@bellevuearch.co.nz | www.bellevuearch.co.nz

SUITABLE FOR DOORS BETWEEN 20 - 500 KG

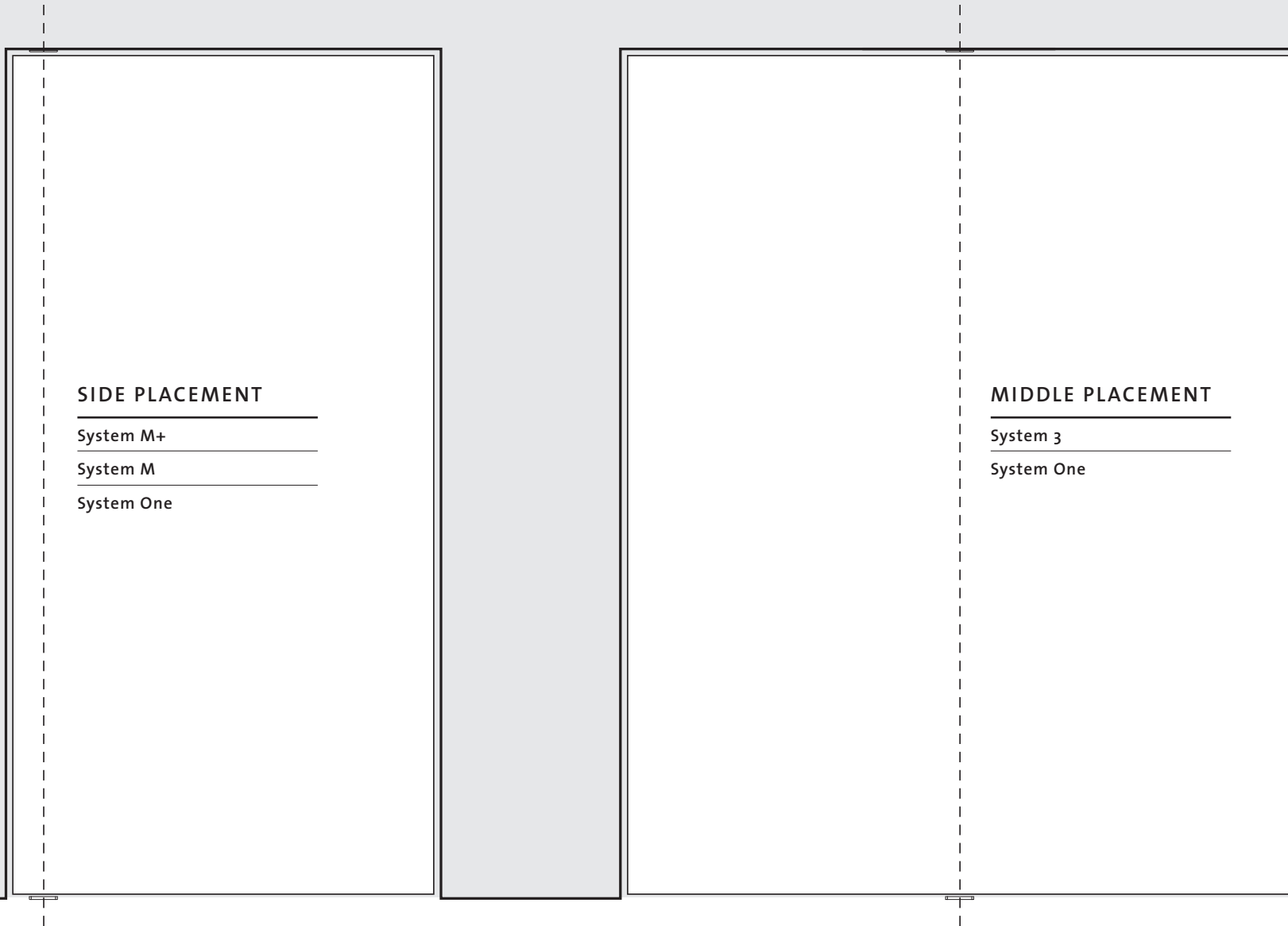
SYSTEM RANGE

System M+ (AA-G)	20-500 kg
System M (AA-C)	20-210 kg
System 3	40-350 kg
System One	20-500 kg



Each FritsJurgens pivot system is suitable for light and heavy doors. System M+ comes in models tuned for doors from 20 up to 500 kg. System M is suitable for door between 20 and 210 kg. System One also supports doors up to 500 kg, while System 3 supports doors from 40 to 350 kg. The possibilities for the design of the door are endless and the movement is smooth and fluent. FritsJurgens by Bellevue Architectural NZ | +64 27 617 2880 | info@bellevuearch.co.nz | www.bellevuearch.co.nz

POSITIONING OF THE SYSTEMS



FritsJurgens pivot hinge systems can be used to design pivot doors with side and middle placement. Depending on the positioning of the system and the function of the pivot door, the right system can be selected.

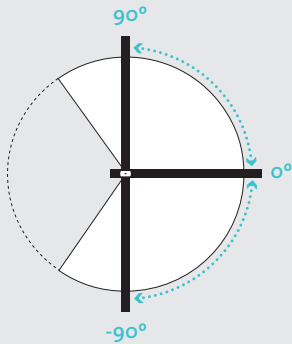
COMPARE SYSTEMS

	SYSTEM M+ Doors with Latches	SYSTEM M Doors without Latches	SYSTEM 3 Doors that swing 360°	SYSTEM ONE Free Swinging Doors
System features	M32+: 294,8 x 32 x 99,6 mm M32+: 2,6 KG M42+: 308,2 x 42 x 112,7 mm M42+: 3,6 KG	294,8 x 32 x 99,6 mm 2,6 KG	160 x 32 x 143 mm 0,75 KG	160 x 32 x 39 mm 0,36 KG
Material	Stainless Steel Anodized aluminum	Stainless Steel Anodized aluminum	Stainless Steel Anodized aluminum	Stainless Steel Anodized aluminum
Corrosion resistance	EN 1670 - class 5 (norm:0-5)	EN 1670 - class 5 (norm:0-5)	EN 1670 - class 5 (norm:0-5)	EN 1670 - class 5 (norm:0-5)
Door features	Double-action 180° rotation Single-action 90° rotation	Double-action 180° rotation Single-action 90° rotation	Double-action 360° rotation	Double-action 360° rotation Single-action 90° rotation
Hold positioning	Hold positions 90°, -90° and 0°	Hold positions 90°, -90° and 0°	Hold positions 0°, 90°, 180°, 270°	360° free-swinging pivot
Weight capacity	20-500 KG	20-210 KG	40-350 KG	20-500 KG
Door width	400-5000 mm	400-4400 mm	1000-3800 mm	Unlimited
Door height	Unlimited	Unlimited	Unlimited	Unlimited
Pivot point	Min. 91 mm to short side	Min. 91 mm to short side	Min. 91 mm to short side	Min. 91 mm to short side
Door thickness	M32+: 40 mm M42+: 50 mm	40 mm	40 mm	40 mm
Door movement	Self-closing from 125° and -125° to 0° 1. Damper Control Back-check for damping on opening, soft-close. 2. 30° Speed Control Adjustable closing speed in last part of closing. L Latch Control Accelerates the door shortly before closed position to ensure proper latching.	Self-closing from 125° and -125° to 0° 1. Damper Control Back-check for damping on opening, soft-close.	Door moves from each 45° angle, in both directions, to a hold position.	360° free-swinging pivot

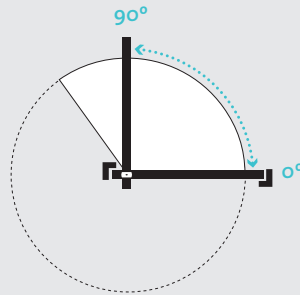
FUNCTIONS

SYSTEM M+ | Single & Double Action Doors with Stops & Latches

Double-action doors
 Rotation 180°
 Hold positions 90°, -90° and 0°
 Self-closing from 125° and -125° to 0°



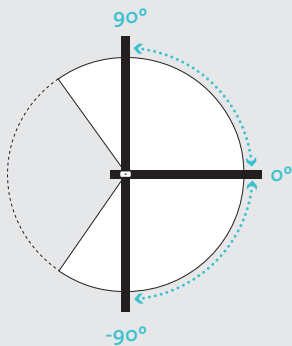
Single-action doors (with door frames*)
 Rotation 90°
 Hold positions 90° and 0°
 Self-closing from 125° to 0°



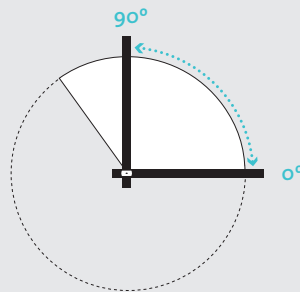
**Due to Latch Control (see next page)*

SYSTEM M | Single & Double Action Doors with No Stops & Latches

Double-action doors
 Rotation 180°
 Hold positions 90°, -90° and 0°
 Self-closing from 125° and -125° to 0°

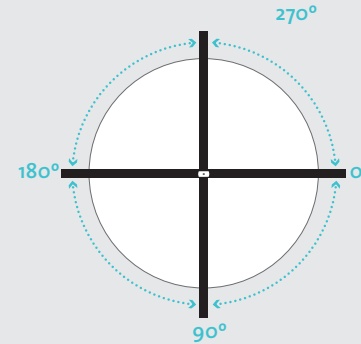


Single-action doors
 Rotation 90°
 Hold positions 90° and 0°
 Self-closing from 125° to 0°



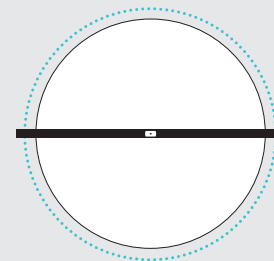
SYSTEM 3 | Center Mount Full 360° Rotation Only

Double-action doors (Self Opening & Self Closing)
 Rotation 360°
 Hold positions 0°, 90°, 180°, 270°

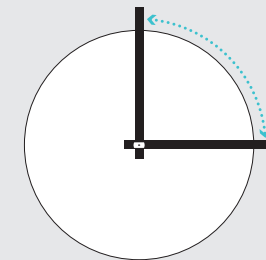


SYSTEM ONE | Free Swinging

Double-action doors
 Rotation 360°



Single-action doors
 Rotation 90°



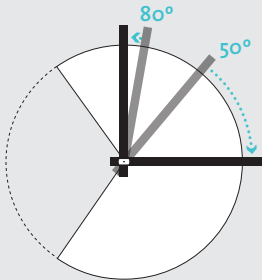
When the pivot hinge is placed on the left or right side of the door, allowing 90° rotation or 180° rotation, System M+, System M and System One are suitable choices. When the pivot hinge is placed in the middle of the door this will allow for 360° rotation. Both System 3 and System One are suitable choices.

MOVEMENT

SYSTEM M+ | SELF-CLOSING FROM 125° AND -125° TO 0°

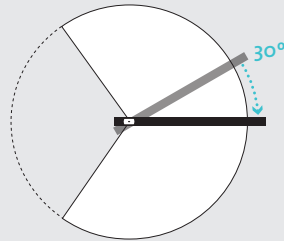
1. **Damper Control**

Back-check for damping on opening, soft-close.



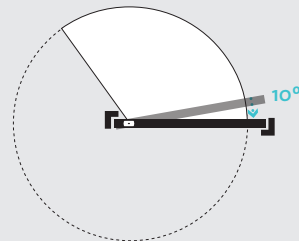
2. **30° Speed Control**

Adjustable closing speed in last part of closing movement.



L **Latch Control**

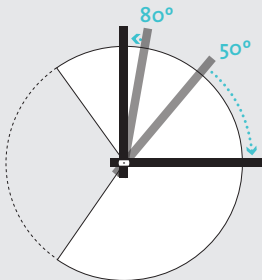
Accelerates the door shortly before closed position to ensure proper latching.



SYSTEM M | SELF-CLOSING FROM 125° AND -125° TO 0°

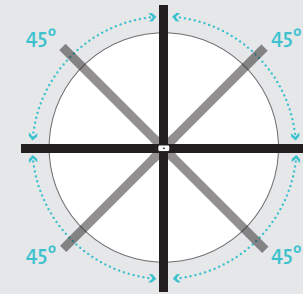
1. **Damper Control**

Back check for damping on opening, soft-close.



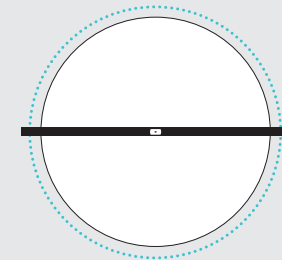
SYSTEM 3 | Self Open & Self Close

Door moves from each 45° angle, in both directions, to a hold position.



SYSTEM ONE | Free Swinging

360° free-swinging pivot.



In System M and System M+ the movement of the pivot door is generated and controlled by FlowMotion. FlowMotion technology puts hydraulic power to use by turning it into a controlled, smooth door movement. This is what makes FlowMotion technology unique. System 3 can rotate 360° and is characterized by a hold position at every quarter of the circle. System One is the most compact system: the hinge acts as a revolving point.

FritsJurgens by Bellevue Architectural NZ | +64 27 617 2880 | info@bellevuearch.co.nz | www.bellevuearch.co.nz

FRITSJURGENS SYSTEM M+/M



SYSTEM M+ | Single & double action doors with stops & latches

SYSTEM SPECIFICATIONS

Types	M32+ SCA	
	M32+ SCB	
	M32+ SCC	
	M32+ SCD	
	M32+ SCE	
		M42+ SCF
		M42+ SCG
Dimensions	M32+ 294,8 x 32 x 99,6 mm	M42+ 308,2 x 42 x 112,7 mm
Weight	2,6 KG	3,6 KG
Material	Stainless Steel Anodized aluminum	
Corrosion resistance	EN 1670 - class 5 (norm:0-5)	

DOOR SPECIFICATIONS

Door acting	Double-action 180° rotation Single-action 90° rotation with door frames* <i>*Due to Latch Control (see page 14)</i>	
Hold positioning	Hold positions 90°, -90° and 0°	
Weight capacity	20-500 KG	
Door width	400 - 5000 mm	
Door height	Unlimited	
Pivot point	Min. 91 mm from pivot point to short side	
Min. door thickness	M32+ 40 mm	M42+ 50 mm

DOOR MOVEMENT

Door movement	Self-closing from 125° and -125° to 0° Damper Control - Back-check for damping on opening, soft-close. 30° Speed Control - Adjustable closing speed in last part of closing. Latch Control - Accelerates the door shortly before closed position to ensure proper latching. <i>All controls can be individually adjusted from the bottom of the door.</i>
---------------	--

SYSTEM M | Single & double action doors with no stops & latches

SYSTEM SPECIFICATIONS

Types	M32 SCAA
	M32 SCA
	M32 SCB
	M32 SCC
Dimensions	294,8 x 32 x 99,6 mm
Weight	2,6 KG
Material	Stainless Steel Anodized aluminum
Corrosion resistance	EN 1670 - class 5 (norm:0-5)

DOOR SPECIFICATIONS

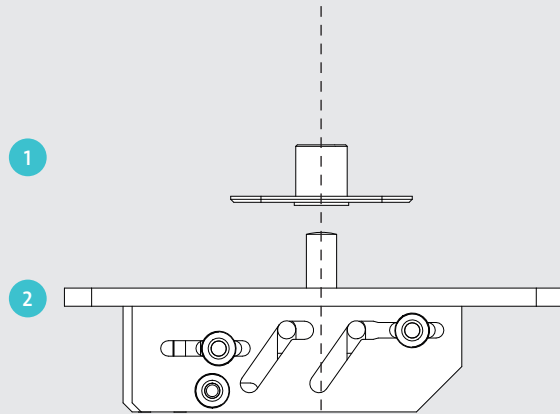
Door acting	Double-action 180° rotation Single-action 90° rotation
Hold positioning	Hold positions 90°, -90° and 0°
Weight capacity	20-210 KG
Door width	400 - 4400 mm
Door height	Unlimited
Pivot point	Min. 91 mm from pivot point to short side
Min. door thickness	40 mm

DOOR MOVEMENT

Door movement	Self-closing from 125° and -125° to 0° Damper Control - Back-check for damping on opening, soft-close. <i>Control can be individually adjusted from the bottom of the door.</i>
---------------	--

System M+ offers absolute control over the movement of pivot doors that weigh 20 to 500 kg and System M does this for doors between 20 and 210 kg. Both systems are equipped with FlowMotion technology.

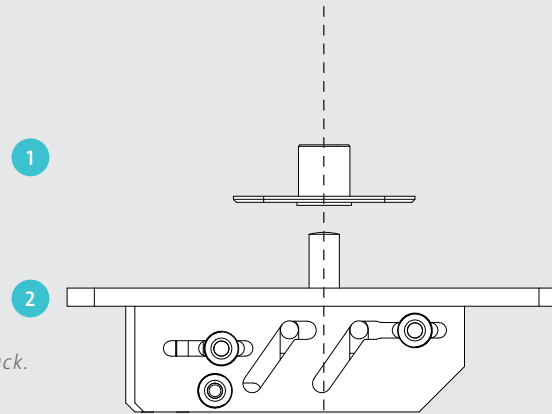
FritsJurgens by Bellevue Architectural NZ | +64 27 617 2880 | info@bellevuearch.co.nz | www.bellevuearch.co.nz



SYSTEM M+ COMPONENTS

1. Ceiling plate (300352)
2. Top pivot (200201)
3. System M+ (100532)
4. Square floor plate (400711) or Round floor plate (400411)

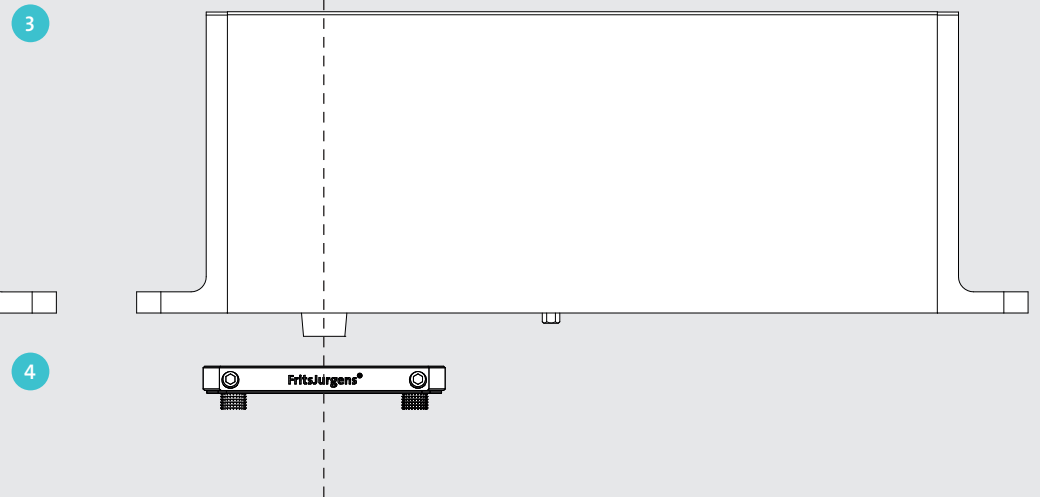
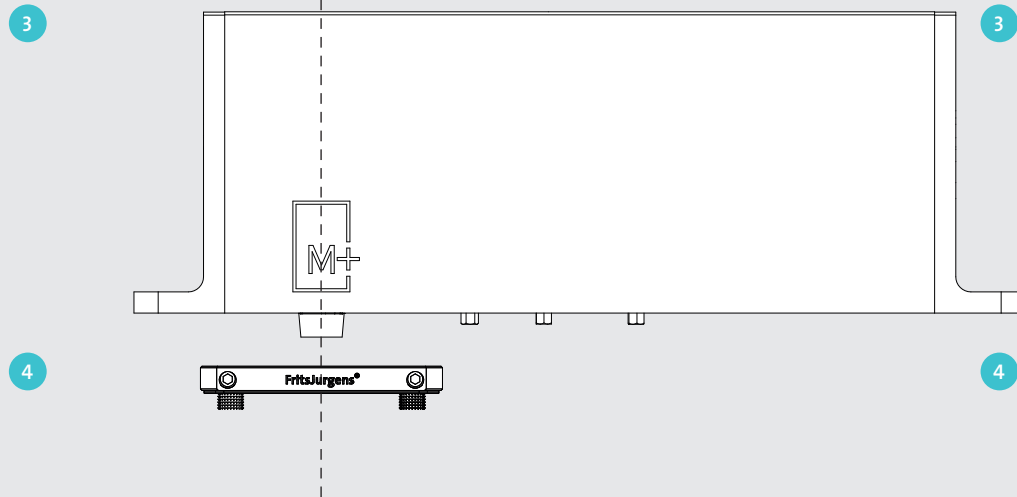
Ceiling plate and floor plate in stainless steel (Series 420) or PVD black. Including mounting set (704000)



SYSTEM M COMPONENTS

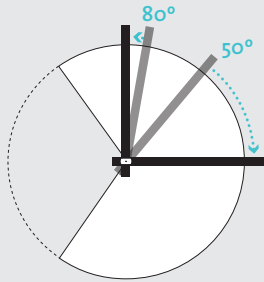
1. Ceiling plate (300352)
2. Top pivot (200201)
3. System M (100332)
4. Square floor plate (400711) or Round floor plate (400401)

Ceiling plate and floor plate in stainless steel (Series 420) or PVD black. Including mounting set (704000)



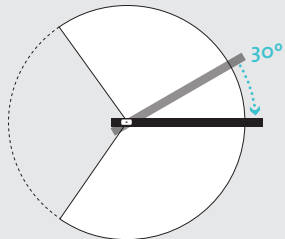
SYSTEM M+ WITH FLOWMOTION®

DAMPER CONTROL



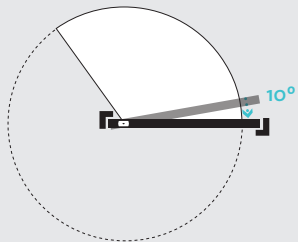
Damper Control has two functions. The hydraulic back-check protects the pivot door against touching the wall by providing adjustable resistance as the door approaches the 80° position. The closing damping makes the door close smoothly.

30° SPEED CONTROL



30° Speed Control allows you to fine-tune the speed of the pivot door through the last 30° of the closing movement.

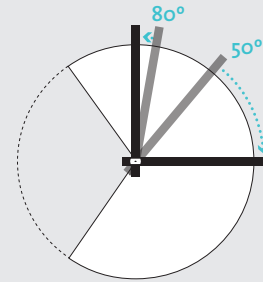
LATCH CONTROL



Latch Control provides the ability to adjust the closing speed to latch the door properly. Latch Control enables the door to accelerate in the last 10° to ensure proper latching of the door.

SYSTEM M WITH FLOWMOTION®

DAMPER CONTROL

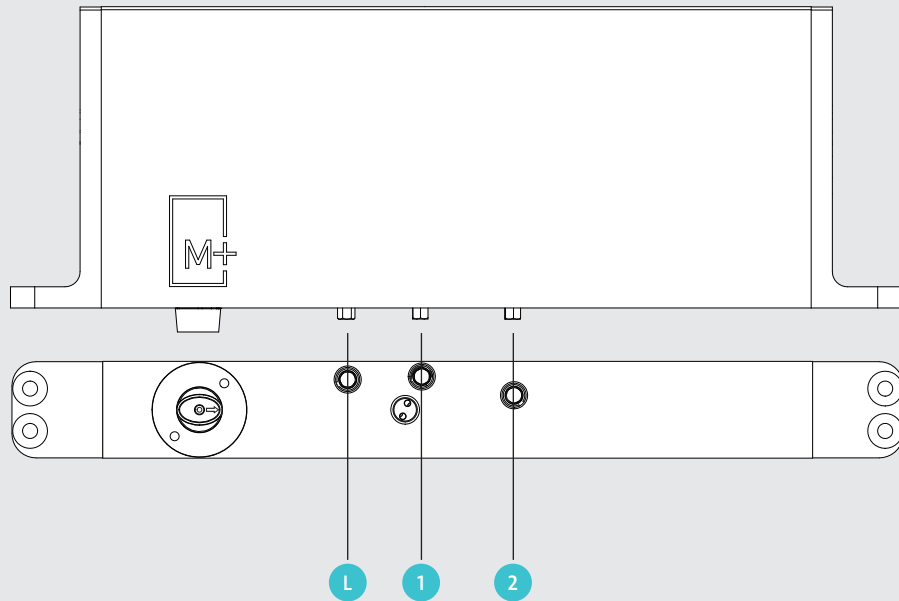


Damper Control has two functions. The hydraulic back-check protects the pivot door against touching the wall by providing adjustable resistance as the door approaches the 80° position. The closing damping makes the door close smoothly.

In System M+ and System M the movement of the pivot door is created and controlled by FlowMotion. System M+ provides extra levels of adjustability. It enables you to fully control the closing movement of the pivot door by means of the 30° Speed Control and Latch Control.

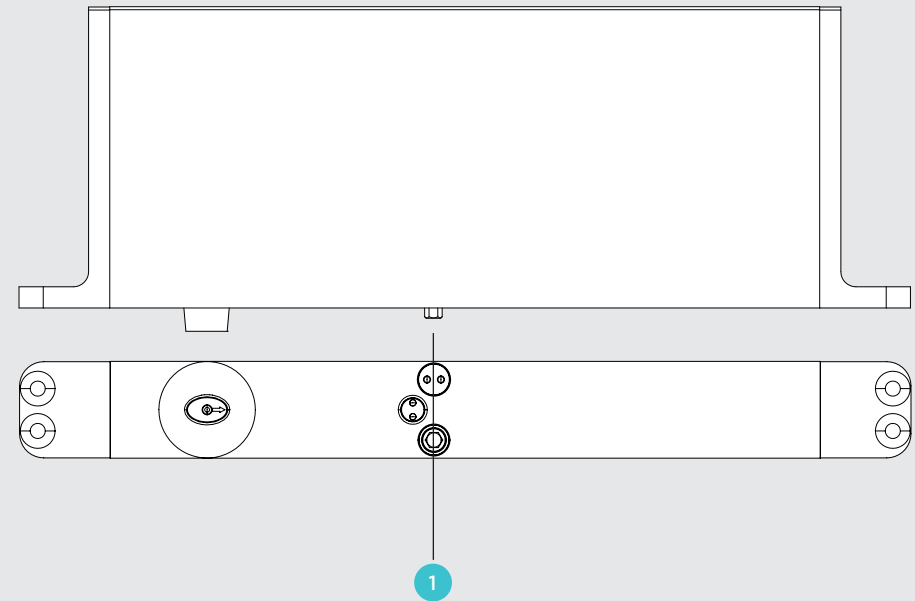
FritsJurgens by Bellevue Architectural NZ | +64 27 617 2880 | info@bellevuearch.co.nz | www.bellevuearch.co.nz

SYSTEM M+ WITH FLOWMOTION®



- 1 Damper Control** Ensures a smooth and elegant closing movement and protects your door from touching the wall (back-check).
- 2 30° Speed Control** Allows you to determine the speed of the pivot door through the last part of the closing movement.
- L Latch Control** Accelerates the door shortly before closed position to ensure proper latching.

SYSTEM M WITH FLOWMOTION®

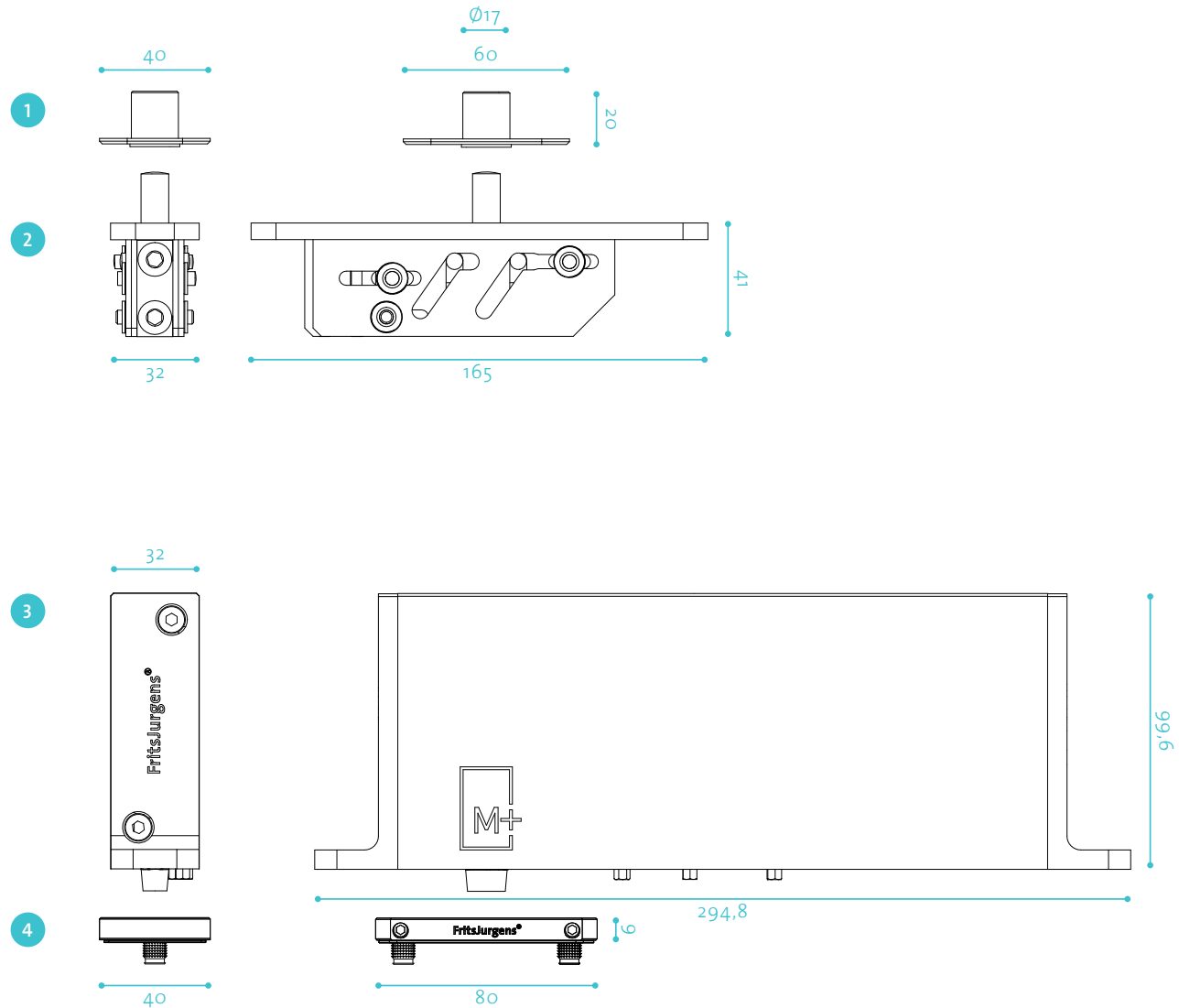


- 1 Damper Control** Ensures a smooth and elegant closing movement and protects your door from touching the wall (back-check).

TECHNICAL DRAWING SYSTEM M32+

1. Ceiling plate (300352)
60 x 40 x 17 mm
2. Top pivot (200201)
165 x 32 x 41 mm
3. System M32+ (100532)
294,8 x 32 x 99,6 mm
4. Square floor plate (400711)
80 x 40 x 9 mm

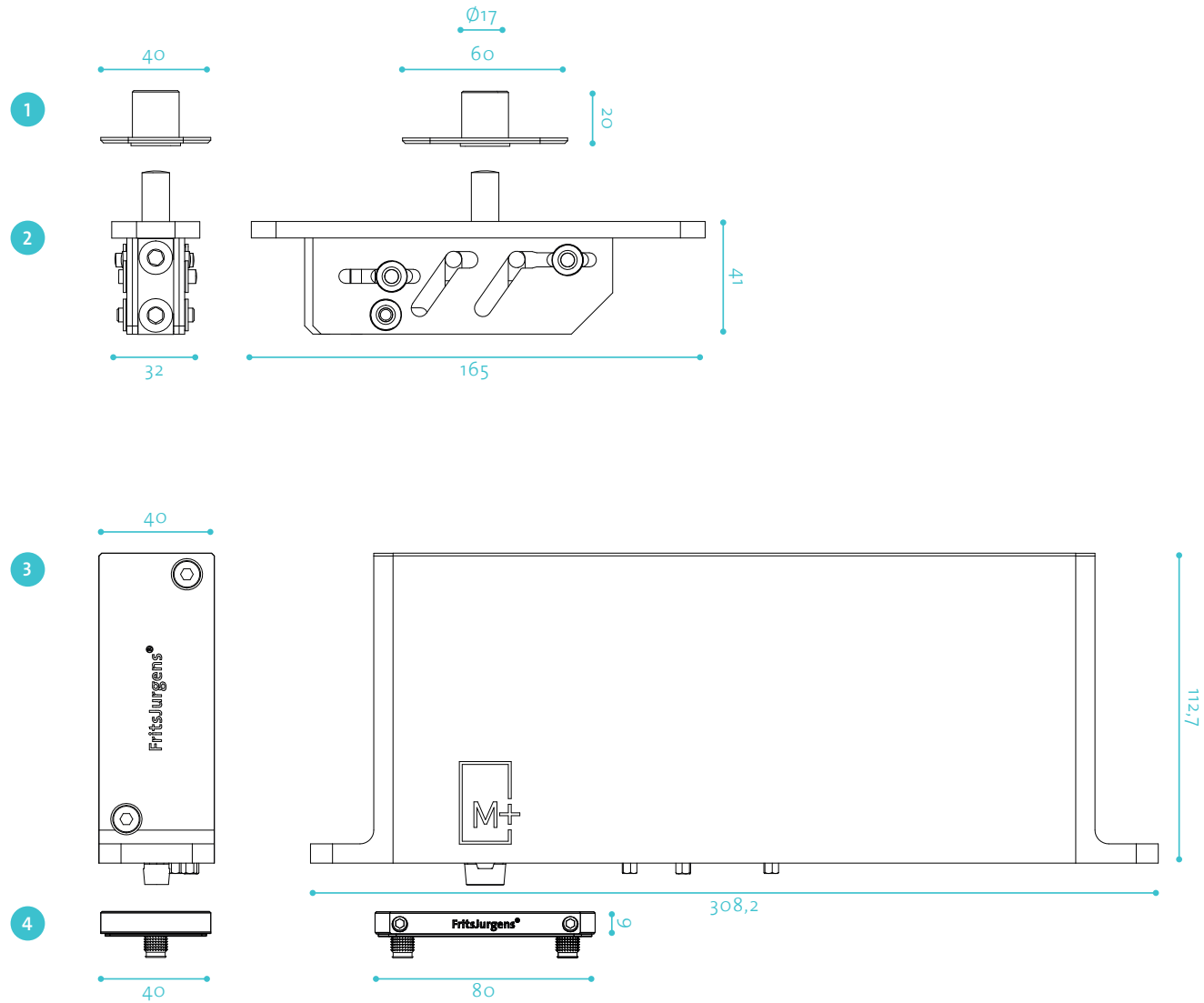
Optional:
Round floor plate (400411)
Ø80 x 9 mm



TECHNICAL DRAWING SYSTEM M42+

1. Ceiling plate (300352)
60 x 40 x 17 mm
2. Top pivot (200201)
165 x 32 x 41 mm
3. System M42+ (100332)
308,2 x 42 x 112,7 mm
4. Square floor plate (400711)
80 x 40 x 9 mm

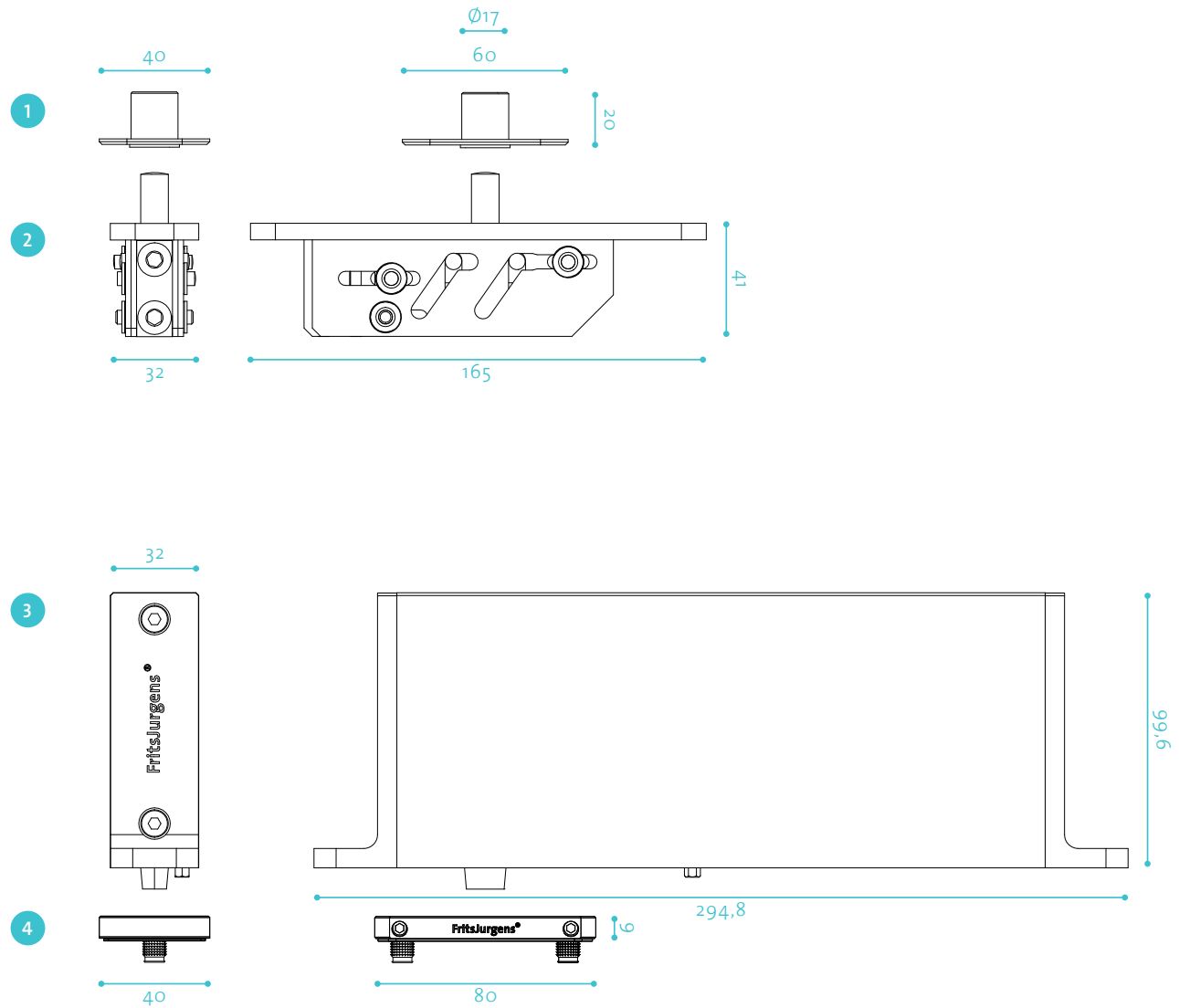
Optional:
Round floor plate (400411)
Ø80 x 9 mm



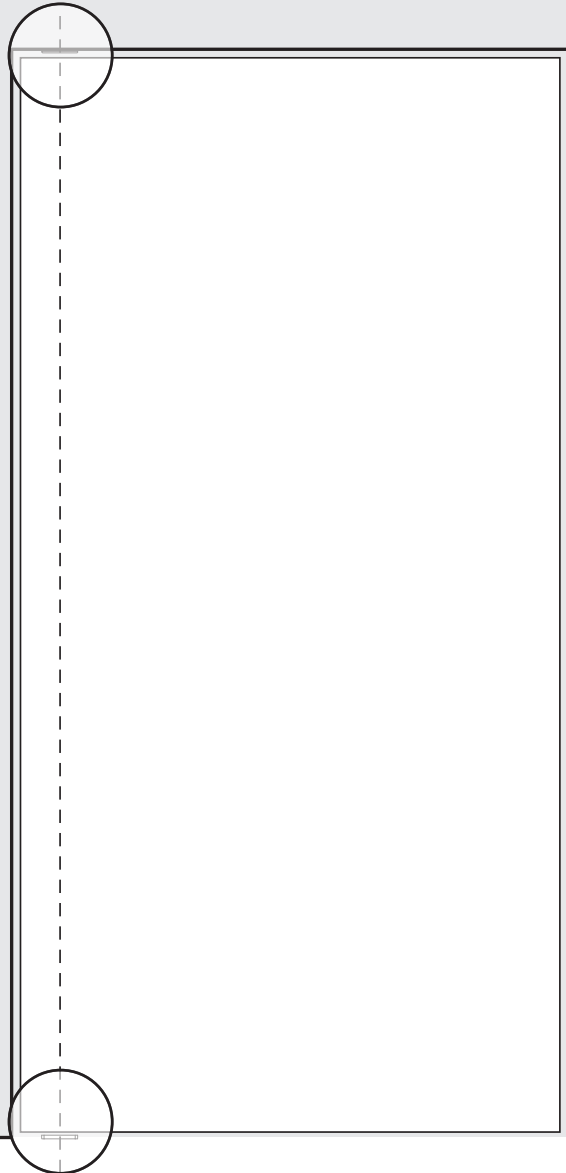
TECHNICAL DRAWING SYSTEM M

1. Ceiling plate (300352)
60 x 40 x 17 mm
2. Top pivot (200201)
165 x 32 x 41 mm
3. System M32 (100332)
294,8 x 32 x 99,6 mm
4. Square floor plate (400711)
80 x 40 x 9 mm

Optional:
Round floor plate (400411)
Ø80 x 9 mm



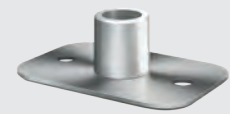
DESIGN OPTIONS SYSTEM M+/M



Square floor plate (400711)
Stainless steel (Series 420)
80 x 40 x 9 mm



Round floor plate (400411)
Stainless steel (Series 420)
Ø80 x 9 mm



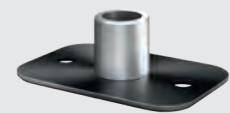
Ceiling plate (300352)
Stainless steel (Series 420)
60 x 40 x 17 mm



Square floor plate (400712)
PVD black
80 x 40 x 9 mm

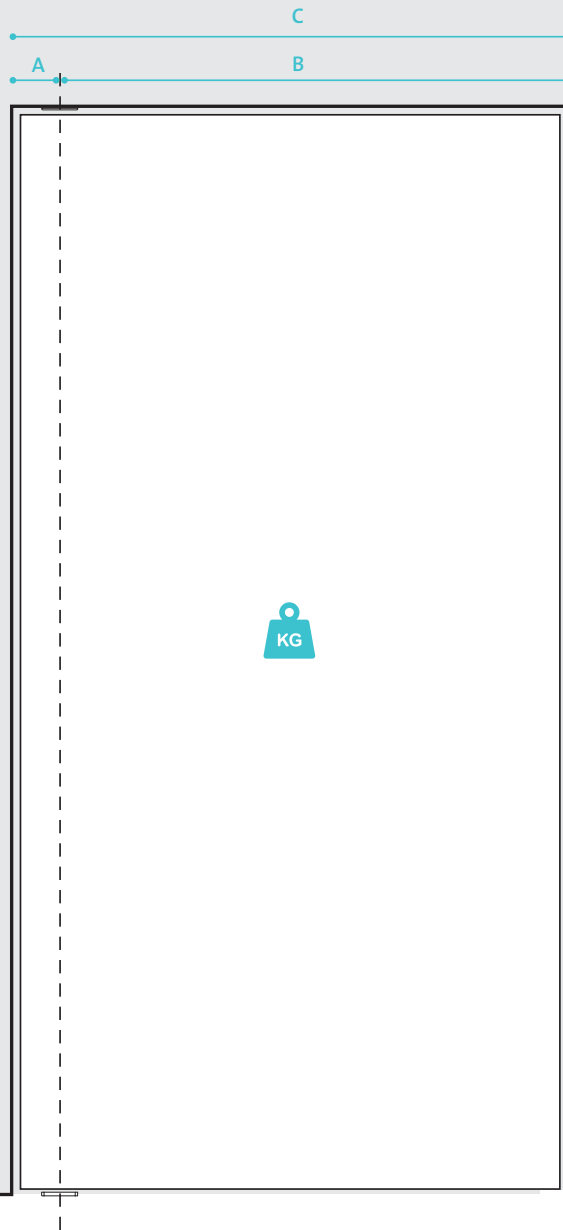


Round floor plate (400412)
PVD black
Ø80 x 9 mm



Ceiling plate (300353)
PVD black
60 x 40 x 17 mm

SYSTEM M+/M MODEL SELECTOR



To ensure the pivot hinge provides the appropriate movement for your door, System M+ is available in seven models and System M in four models suited to the weight and width of the door. There are no limits to the height of the door.

System M+ is suitable for pivot doors covering a range between 20 and 500 kg and is suitable for single and double-action doors. When combined with the door frames, the Latch Control ensures the door closes properly.

System M is suitable for pivot doors covering a range between 20 and 210 kg.

EXAMPLE

Use the model selector table on the next page.

Door Specifications: Width 1600 mm, height 3200 mm, weight 165 kg. The distance between the pivot point of the hinge and the side of the door is 91 mm.

1. Determine the distance of pivot point to the latch side of the door:

$$C \text{ minus } A = B: 1509 \text{ mm}$$

2. Check the door width

$$C = 1600 \text{ mm}$$

3. Fill in the weight

$$KG = 165 \text{ kg}$$

The following system suits this door:

M32(+) SCD

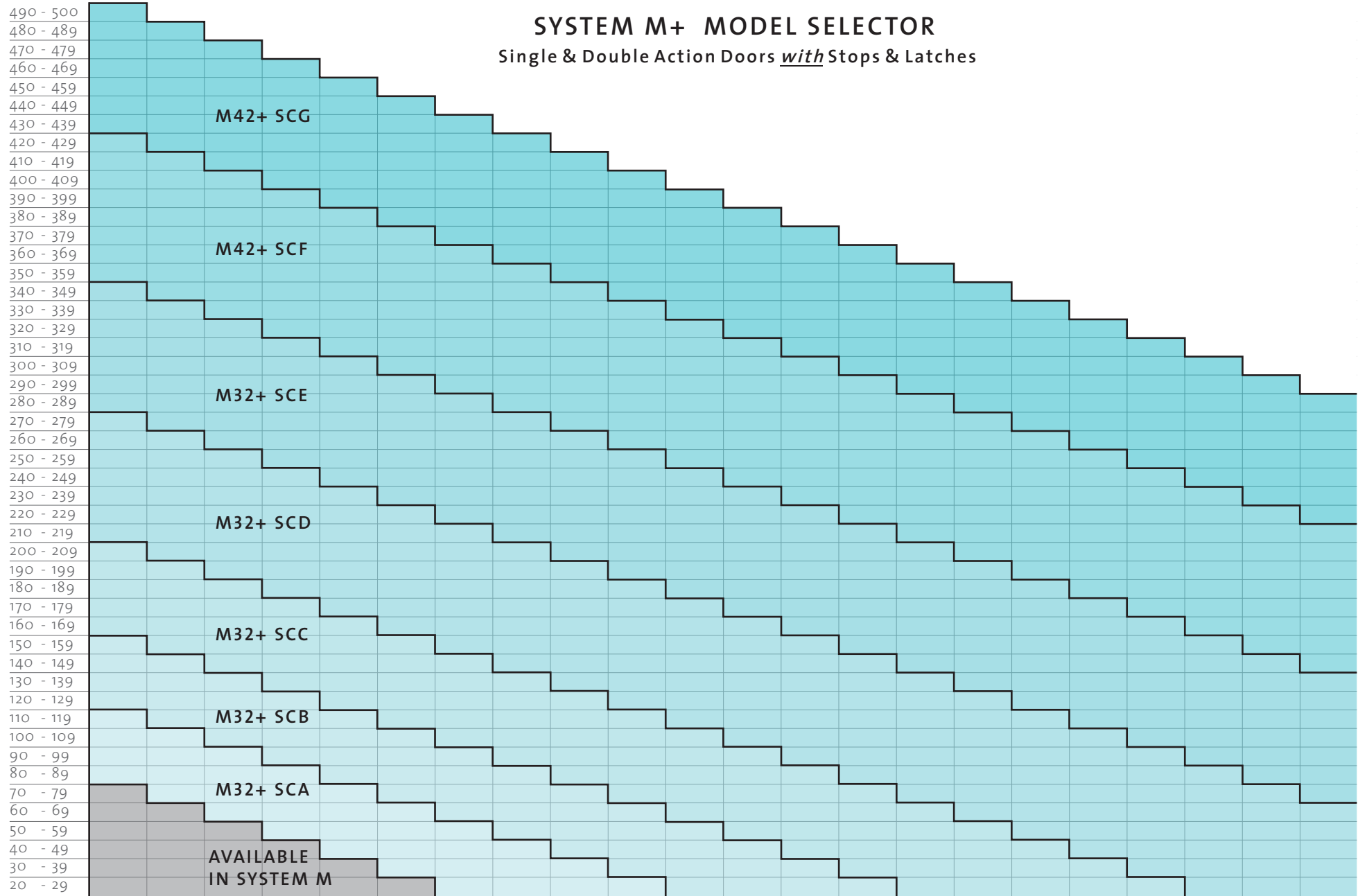
Does your pivot door have other measurements than shown here? Please do not hesitate to contact us. FritsJurgens has an on-site testing facility which enables us to determine whether our systems are suitable for your specific situation.

FritsJurgens by Bellevue Architectural NZ | +64 27 617 2880 | info@bellevuearch.co.nz | www.bellevuearch.co.nz



SYSTEM M+ MODEL SELECTOR

Single & Double Action Doors *with* Stops & Latches

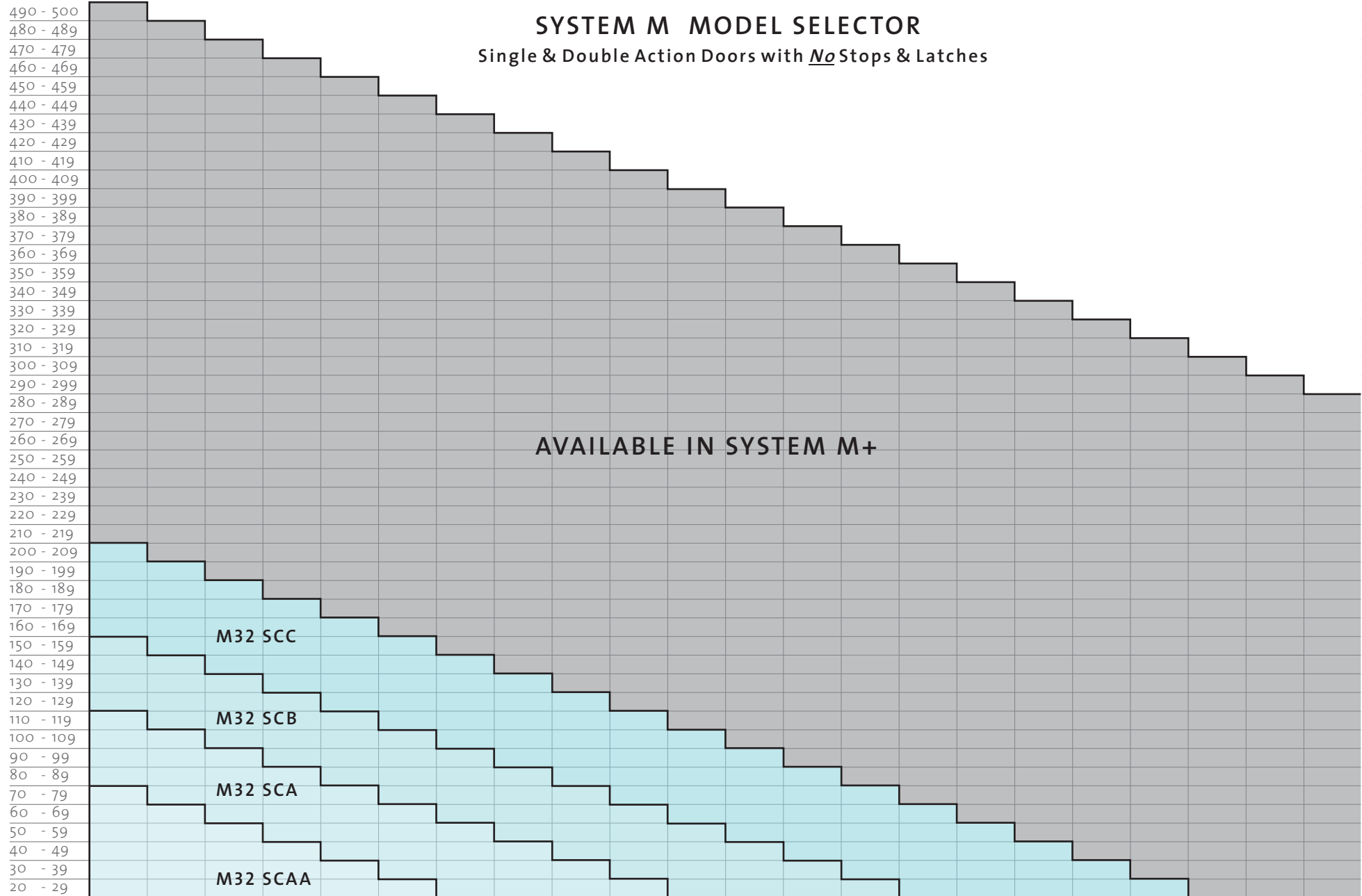


	400	500	600	700	800	900	1000	1100	1200	1300	1400	1500	1600	1700	1800	1900	2000	2100	2200	2300	2400	2500
A	400 499	500 599	600 699	700 799	800 899	900 999	1000 1099	1100 1199	1200 1299	1300 1399	1400 1499	1500 1599	1600 1699	1700 1799	1800 1899	1900 1999	2000 2099	2100 2199	2200 2299	2300 2399	2400 2499	2500
C	491 800	591 1000	691 1200	791 1400	891 1600	991 1800	1091 2000	1191 2200	1291 2400	1391 2600	1491 2800	1591 3000	1600 1699	1791 3400	1891 3600	1991 3800	2091 4000	2191 4200	2291 4400	2391 4600	2491 4800	2591 5000



SYSTEM M MODEL SELECTOR

Single & Double Action Doors with No Stops & Latches



A	400 499	500 599	600 699	700 799	800 899	900 999	1000 1099	1100 1199	1200 1299	1300 1399	1400 1499	1500 1599	1600 1699	1700 1799	1800 1899	1900 1999	2000 2099	2100 2199	2200 2299	2300 2399	2400 2499	2500
C	491 800	591 1000	691 1200	791 1400	891 1600	991 1800	1091 2000	1191 2200	1291 2400	1391 2600	1491 2800	1591 3000	1600 1699	1791 3400	1891 3600	1991 3800	2091 4000	2191 4200	2291 4400	2391 4600	2491 4800	2591 5000

FRITSJURGENS SYSTEM 3 | Center mount doors with full 360° rotation only



SYSTEM 3 | Center mount doors with full 360° rotation only

SYSTEM SPECIFICATIONS

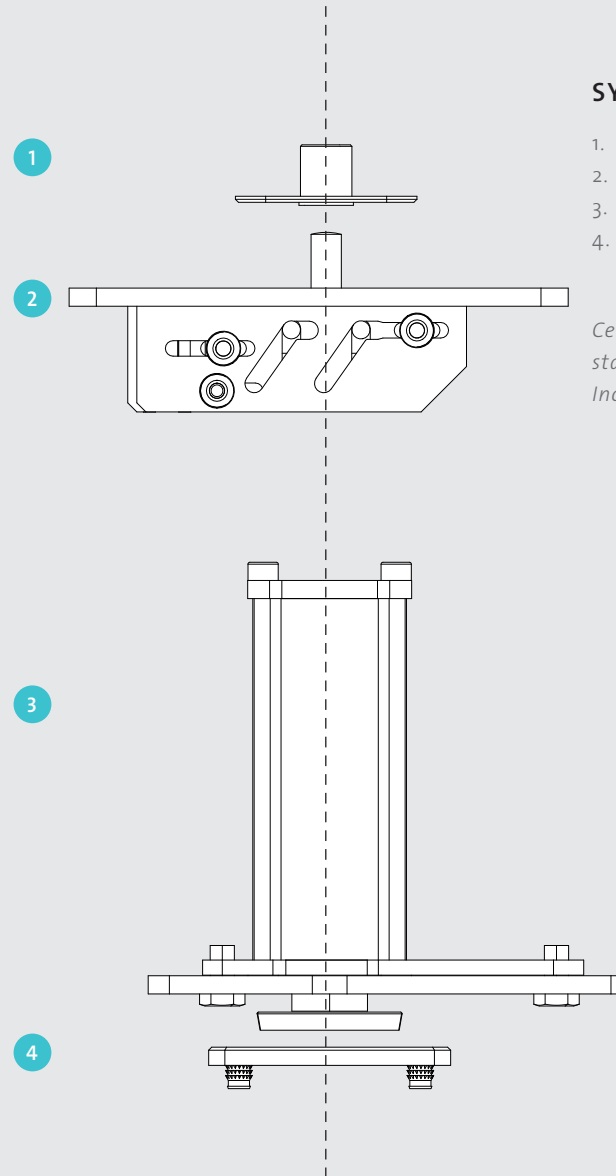
Types	System 3-9016 System 3-9020 System 3-9024 System 3-9028
Dimensions	160 x 32 x 143 mm
Weight	0,75 KG
Material	Stainless Steel Anodized aluminum
Corrosion resistance	EN 1670 - class 5 (norm:0-5)

DOOR SPECIFICATIONS

Door acting	Double-action 360° rotation
Hold positioning	Hold positions 0°, 90°, 180° and 270°
Weight capacity	40-350 KG
Door width	1000 - 3800 mm
Door height	Unlimited
Pivot point	Middle
Min. door thickness	40 mm

DOOR MOVEMENT

Door movement	Door moves from each 45° angle, in both directions, to a hold position.
---------------	---



SYSTEM 3 COMPONENTS

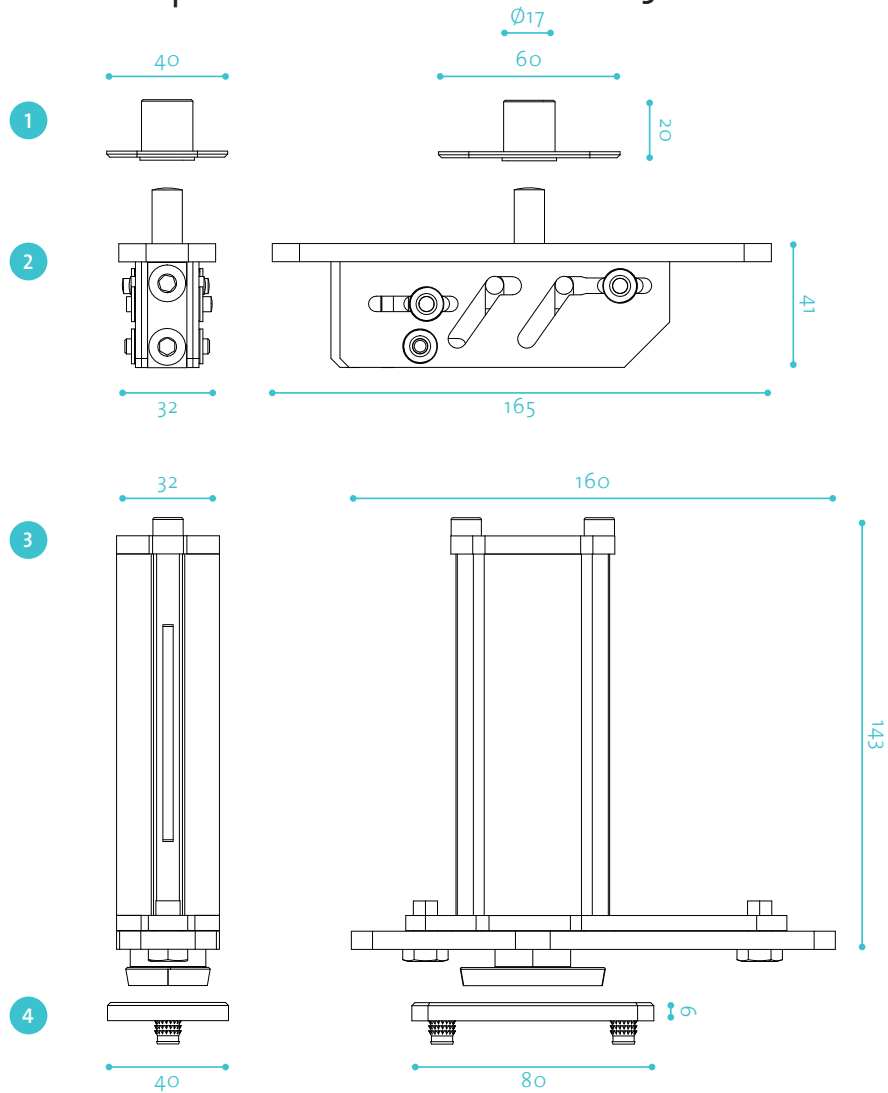
1. Ceiling plate (300352)
2. Top pivot (200201)
3. System 3 (1001XX)
4. Square floor plate (400601) or Round floor plate (400401)

Ceiling plate and floor plate in stainless steel (Series 420). Including mounting set (701000)

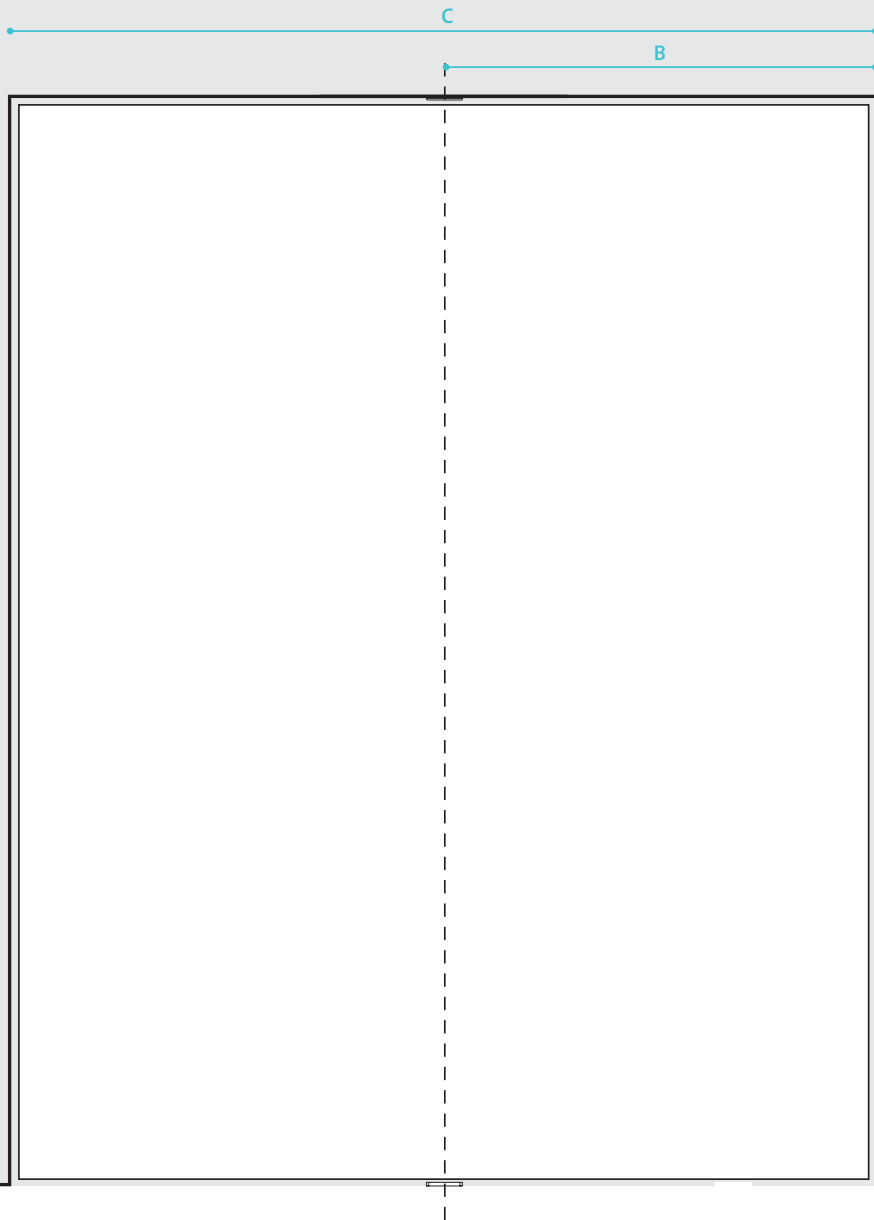
System 3 is very suitable for room dividers and can be applied to create doors that rotate 360°. With this pivot hinge, a door can rotate in a full circle. System 3 has hold positions at every 90° angle and the door always moves to one of the hold positions.

TECHNICAL DRAWING SYSTEM 3 | Center mount doors with full 360° rotation only

1. Ceiling plate (300352)
60 x 40 x 17 mm
 2. Top pivot (200201)
165 x 32 x 41 mm
 3. System 3 (1001XX)
160 x 32 x 143 mm
 4. Square floor plate (400601)
80 x 40 x 6 mm
- Optional:
Round floor plate (400401)
Ø80 x 6 mm



SYSTEM 3 - MODEL SELECTOR | Center mount doors with full 360° rotation only



To ensure the pivot hinge provides the appropriate movement for your door, System 3 is available in four models suited to the weight and width of the door. There are no limits to the height of the door.

For the optimal operation of the pivot door in case of particularly high doors and / or pressure differences in the building, select the next heavier System 3 variant, to ensure the closing force.

EXAMPLE

Use the selection table on page 31.

Door Specifications: Width 2400 mm, height 3200 mm, weight 165 kg.

1. Check the door width
C = 2400 mm
2. Determine the distance of pivot point to the latch side of the door:
B (C:2) 2400 mm : 2 = 1200 mm
3. Fill in the weight
KG = 165 kg

The following system suits this door:

9024

Does your pivot door have other measurements than shown here? Please do not hesitate to contact us. FritsJurgens has an on-site testing facility which enables us to determine whether our systems are suitable for your specific situation.

FritsJurgens by Bellevue Architectural NZ | +64 27 617 2880 | info@bellevuearch.co.nz | www.bellevuearch.co.nz

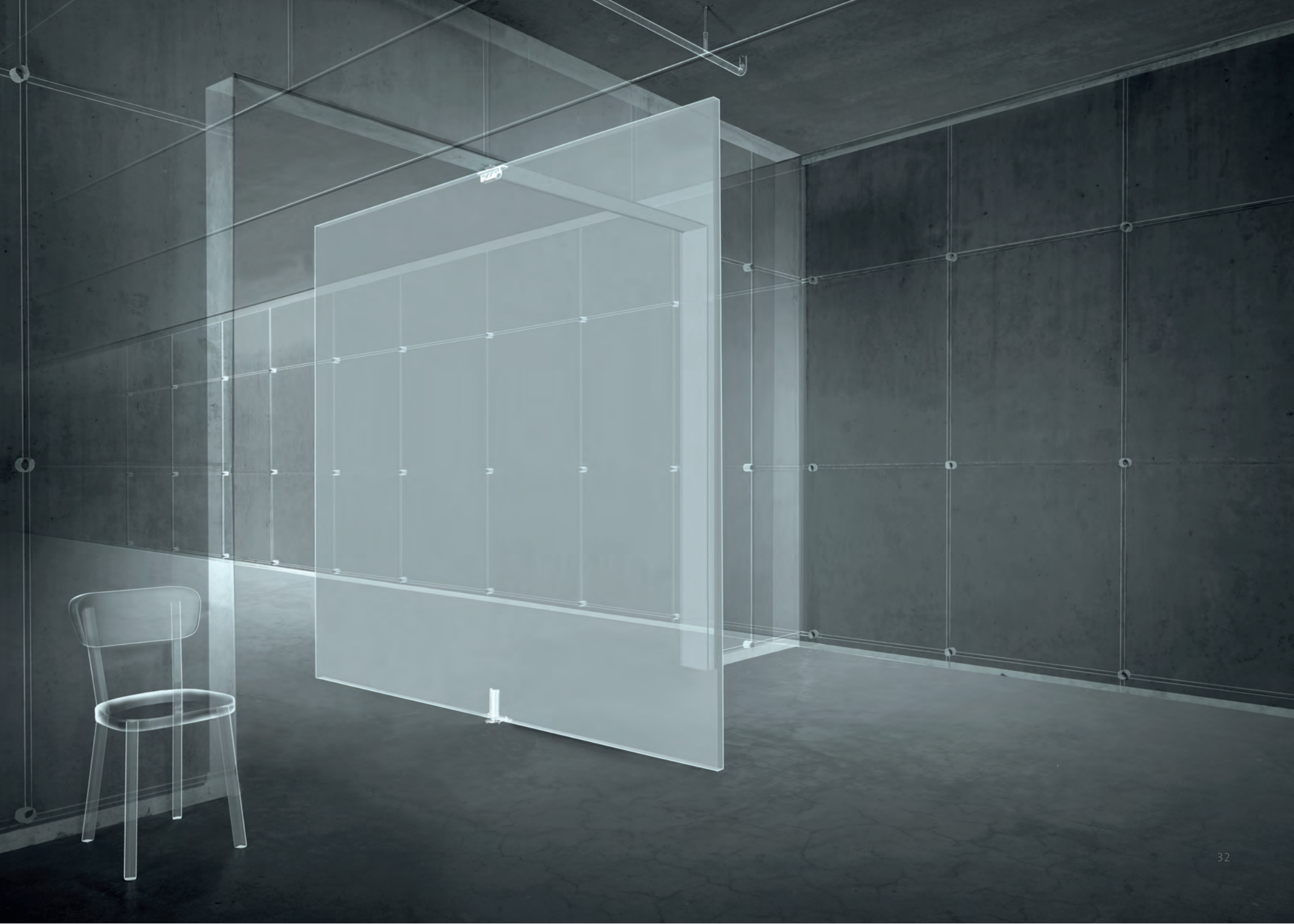
SYSTEM 3 MODEL SELECTOR

Center mount doors with full 360° rotation only



	500 599	600 699	700 799	800 899	900 999	1000 1099	1100 1199	1200 1299	1300 1399	1400 1499	1500 1599	1600 1699	1700 1799	1800 1900
340 - 350														
330 - 339														
320 - 329														
310 - 319														
300 - 309														
290 - 299														
280 - 289														
270 - 279														
260 - 269														
250 - 259														
240 - 249														
230 - 239														
220 - 229														
210 - 219														
200 - 209														
190 - 199														
180 - 189														
170 - 179														
160 - 169														
150 - 159														
140 - 149														
130 - 139														
120 - 129														
110 - 119														
100 - 109														
90 - 99														
80 - 89														
70 - 79														
60 - 69														
50 - 59														
40 - 49														
30 - 39														
20 - 29														

A



FRITSJURGENS SYSTEM ONE | Free Swinging



SYSTEM ONE | Free Swing

SYSTEM SPECIFICATIONS

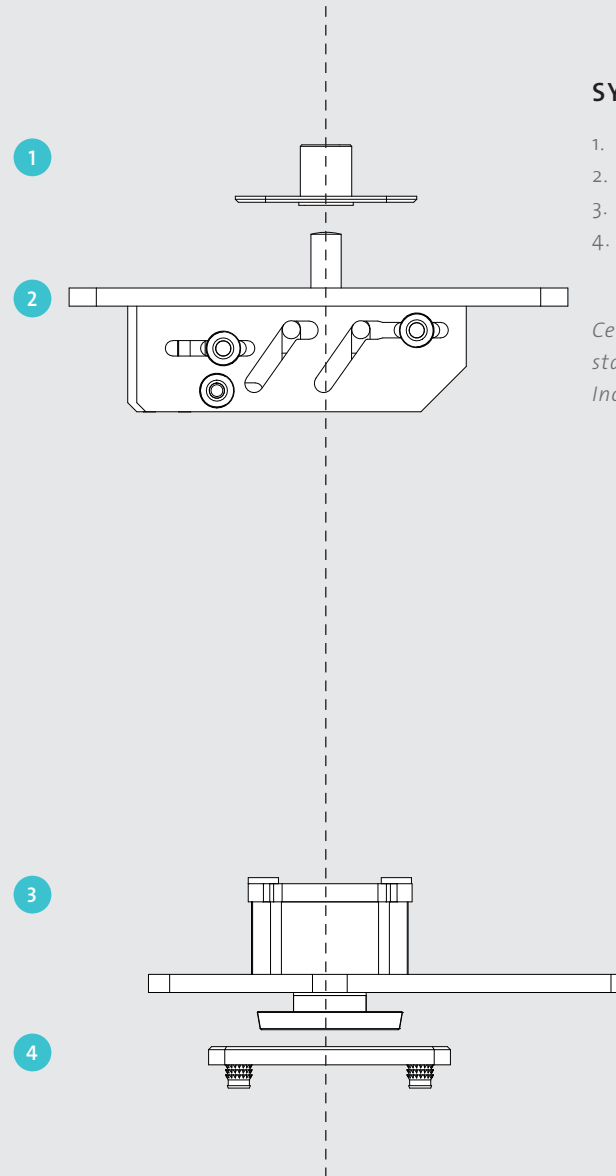
Type	System One
Dimensions	160 x 32 x 39 mm
Weight	0,36 KG
Material	Stainless Steel Anodized aluminum
Corrosion resistance	EN 1670 - class 5 (norm:0-5)

DOOR SPECIFICATIONS

Door Acting	Double-action 360° rotation Single-action 90° rotation
Weight capacity	0-500 KG
Door width	Unlimited
Door height	Unlimited
Pivot point	Min. 91 mm from pivot point to short side
Min. door thickness	40 mm

DOOR MOVEMENT

Door movement	360° free-swinging pivot
---------------	--------------------------



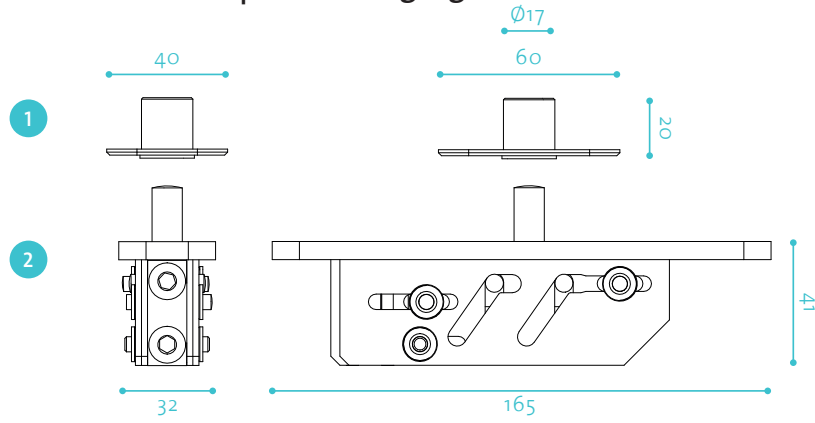
SYSTEM ONE COMPONENTS

1. Ceiling plate (300352)
2. Top pivot (200201)
3. System One (100101)
4. Square floor plate (400601) or Round floor plate (400401)

Ceiling plate and floor plate in stainless steel (Series 420). Including mounting set (701000)

TECHNICAL DRAWING SYSTEM ONE | Free Swinging

1. Ceiling plate (300352)
60 x 40 x 17 mm
 2. Top pivot (200201)
165 x 32 x 41 mm
 3. System One (100101)
160 x 32 x 38 mm
 4. Square floor plate (400601)
80 x 40 x 6 mm
- Optional:
Round floor plate (400401)
Ø80 x 6 mm



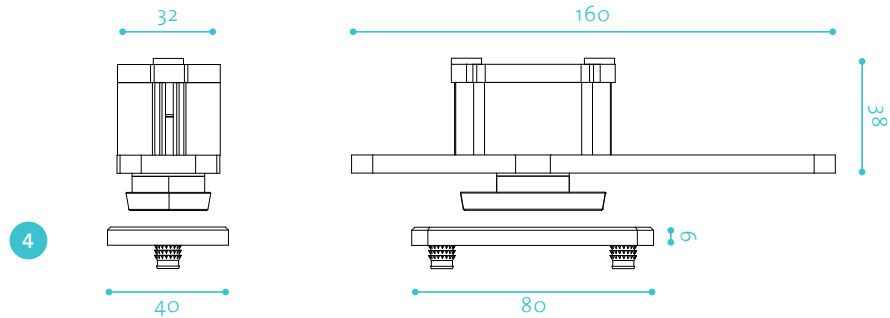
3

Downloads

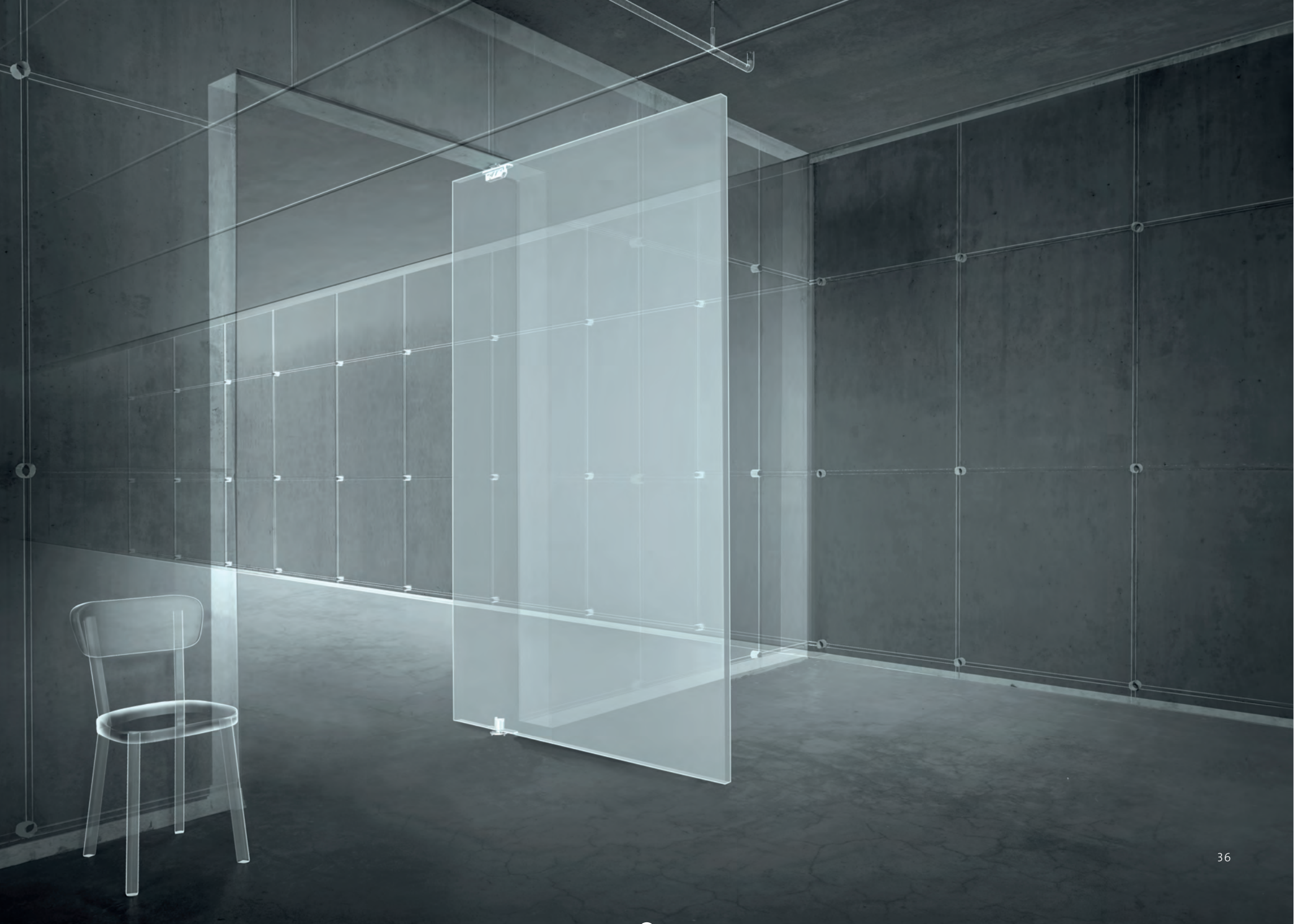
[System One 2D drawing](#)

[System One 3D drawing](#)

[System One BIM model](#)



4



PRESSURE LOAD

AREA

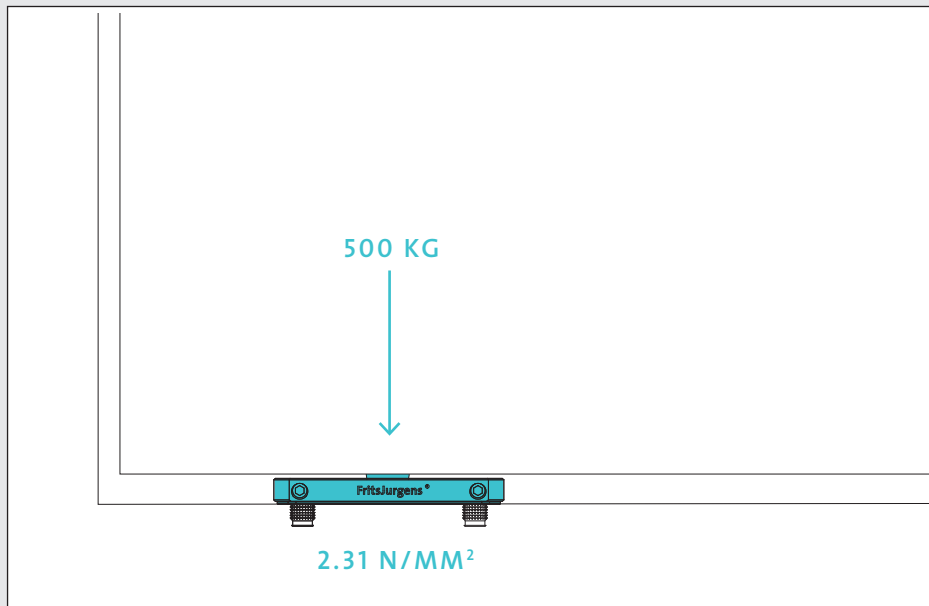
2119 mm²

WEIGHT

500 kg = 4905 N

PRESSURE LOAD

2.31 N/mm²



AS A REFERENCE

AREA

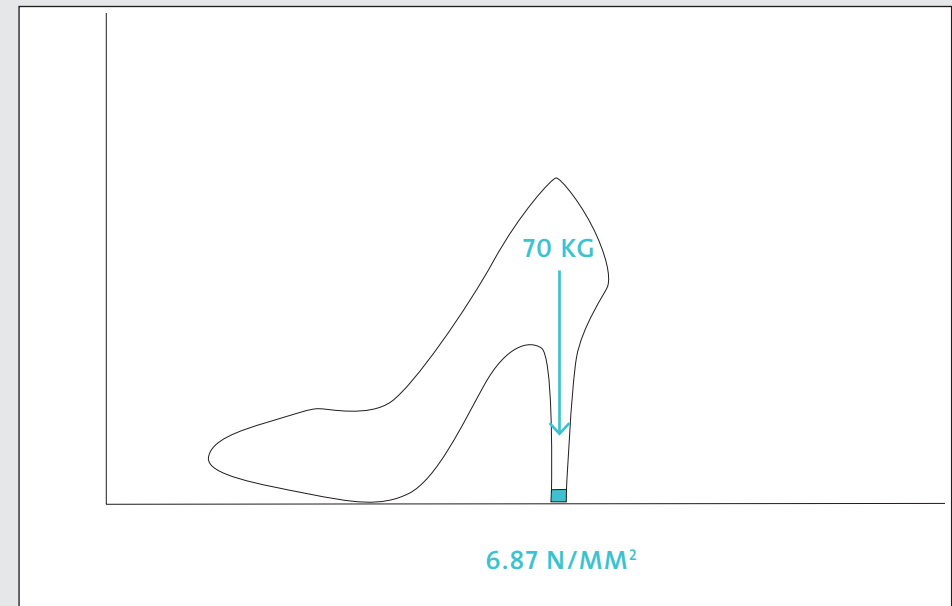
100 mm²

WEIGHT

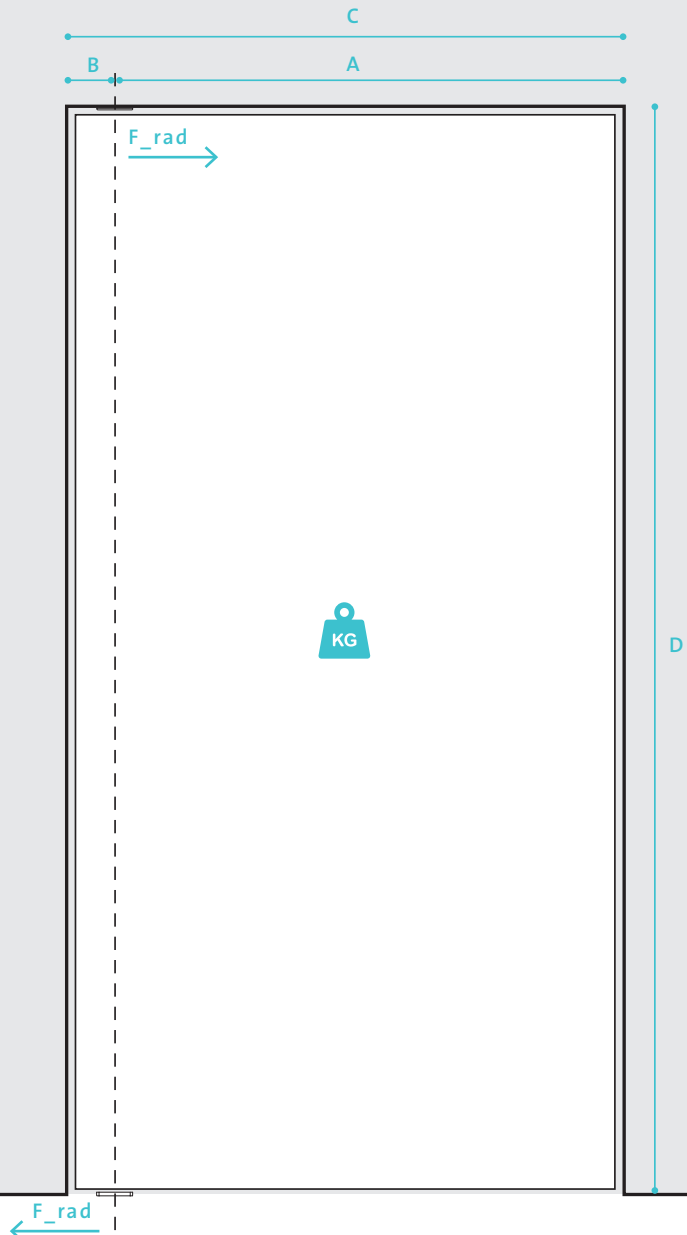
70 kg = 687 N

PRESSURE LOAD

6.87 N/mm²



LATERAL FORCE (EXAMPLE)



B=91 MM, WEIGHT DOOR 500 KG

3000	260 N	464 N	669 N	873 N	1078 N	1282 N	1486 N
2900	269 N	480 N	692 N	903 N	1115 N	1326 N	1538 N
2800	279 N	498 N	717 N	936 N	1154 N	1373 N	1592 N
2700	289 N	516 N	743 N	970 N	1197 N	1424 N	1651 N
2600	300 N	536 N	772 N	1007 N	1243 N	1479 N	1715 N
2500	312 N	557 N	803 N	1048 N	1293 N	1538 N	1784 N
2400	325 N	580 N	836 N	1091 N	1347 N	1602 N	1858 N
2300	339 N	606 N	872 N	1139 N	1405 N	1672 N	1939 N
2200	355 N	633 N	912 N	1191 N	1469 N	1748 N	2027 N
2100	371 N	663 N	955 N	1247 N	1539 N	1831 N	2123 N
2000	390 N	697 N	1003 N	1310 N	1616 N	1923 N	2229 N
	500	750	1000	1250	1500	1750	2000

C

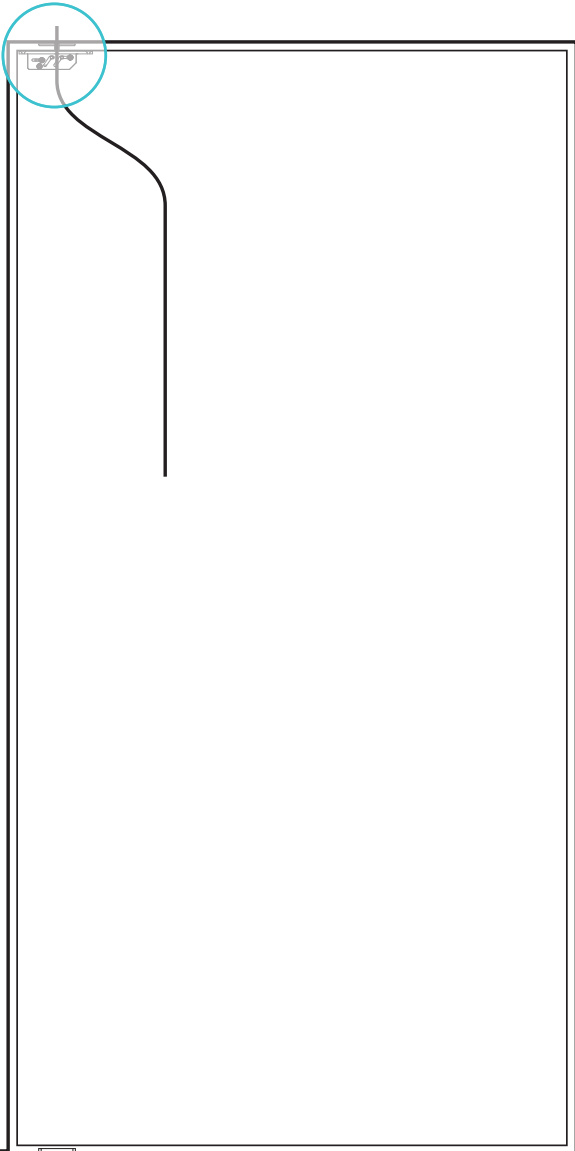
B=1/5 WIDTH DOOR, WEIGHT DOOR 500 KG

3000	245 N	368 N	491 N	613 N	736 N	858 N	981 N
2900	254 N	381 N	507 N	634 N	761 N	888 N	1015 N
2800	263 N	394 N	526 N	657 N	788 N	920 N	1051 N
2700	273 N	409 N	545 N	681 N	818 N	954 N	1090 N
2600	283 N	425 N	566 N	708 N	849 N	990 N	1132 N
2500	294 N	442 N	589 N	736 N	883 N	1030 N	1177 N
2400	307 N	460 N	613 N	766 N	920 N	1030 N	1226 N
2300	320 N	480 N	640 N	800 N	960 N	1120 N	1280 N
2200	334 N	502 N	669 N	836 N	1003 N	1171 N	1338 N
2100	350 N	526 N	701 N	876 N	1051 N	1226 N	1401 N
2000	368 N	552 N	736 N	920 N	1104 N	1288 N	1472 N
	500	750	1000	1250	1500	1750	2000

C

The minimum distance for B is 91 mm. See above for two examples. As a result of the placement of System 3 or System One in the middle of the door, there is no extra lateral force (f_rad) on the floor and ceiling.

ACCESSORIES: CABLE GROMMET



The Cable Grommet is an addition to the existing FritsJurgens top pivot range and enables wiring in the door. This top pivot contains an integrated cable grommet of $\varnothing 7.5$ mm. This version of the top pivot is available with every FritsJurgens system and replaces the standard delivered top pivot and ceiling plate within a complete set.

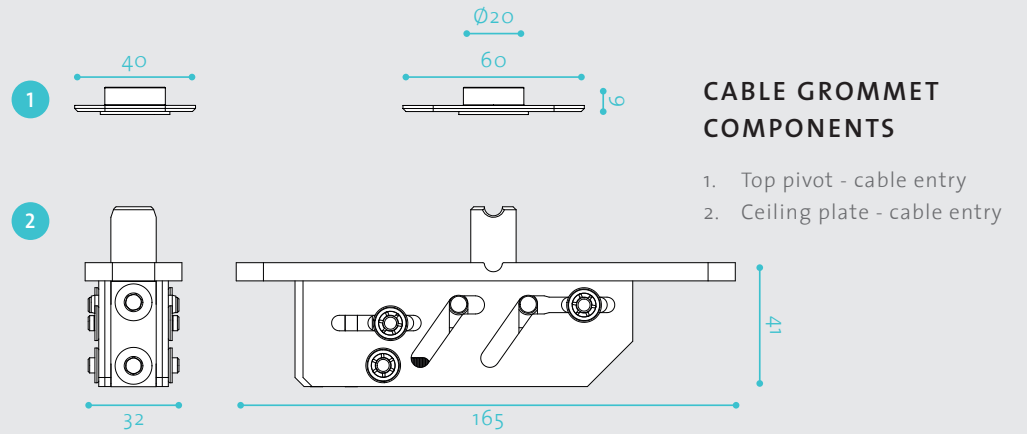
CABLE GROMMET

SPECIFICATIONS

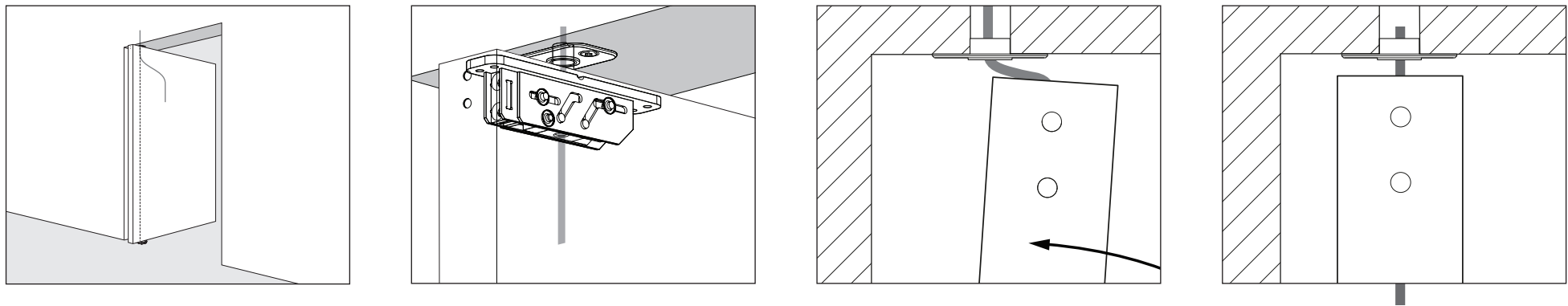
Types	FritsJurgens top pivot - cable entry (200211) FritsJurgens ceiling plate - cable entry (300361)
Dimensions	165 x 32 x 41 mm

FOR TYPES OF DOORS

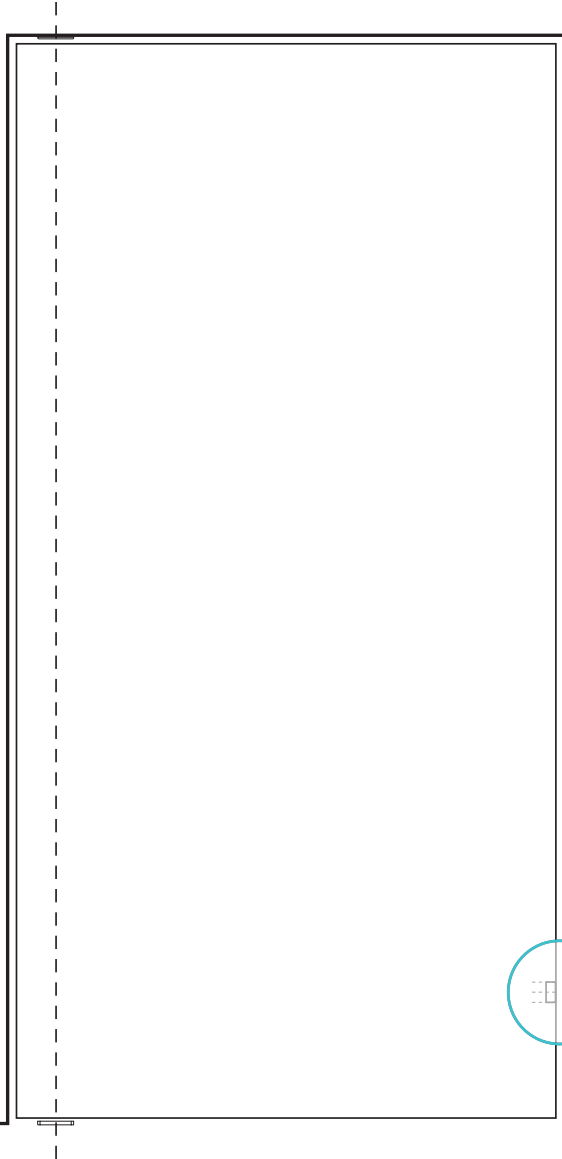
Door acting	Double-action Single-action
Weight capacity	0-500 KG
Door width	Unlimited
Door height	Unlimited
Pivot point	Min. 91 mm from pivot point to short side
Min. door thickness	40 mm



INSTALLATION



ACCESSORIES: FLUSH



The Flush consists of two strong magnets. These are mounted in the bottom side of the pivot door and the adjacent wall. The Flush hereby strengthens the 0° position of every pivot door, regardless its size or weight. The pivot door is always perfectly in line with the adjacent wall or door. A seamless junction, fully 'flush'.

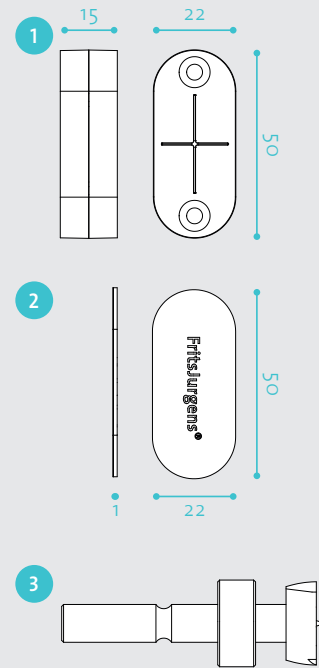
FLUSH

SPECIFICATIONS

Types	FritsJurgens Flush 707001 (stainless steel) FritsJurgens Flush 707002 (black)
	Optional: Forstner drill bit Ø22 mm FJ707100 (with clamping ring)
Dimensions	50 x 22 x 15 mm

FOR TYPES OF DOORS

Door acting	Double-action Single-action
Weight capacity	0-500 KG
Door width	Unlimited
Door height	Unlimited
Pivot point	Min. 91 mm from pivot point to short side
Min. door thickness	40 mm

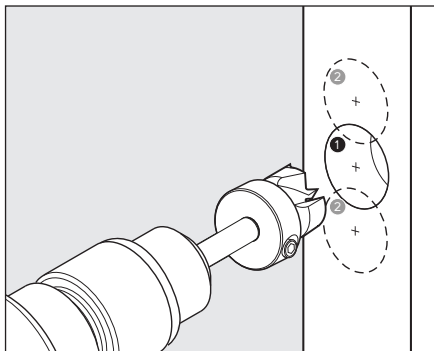


FLUSH COMPONENTS

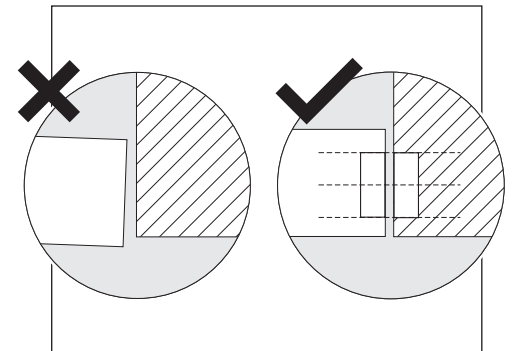
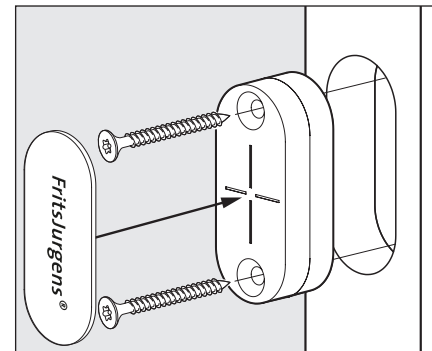
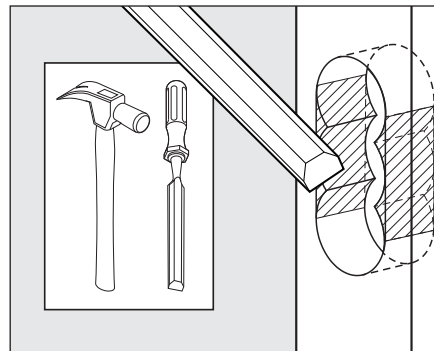
1. Magnets (2x)
2. Cover plates (2x)
3. Optional: drill bit Ø22 mm

Cover plates in stainless steel or black

INSTALLATION

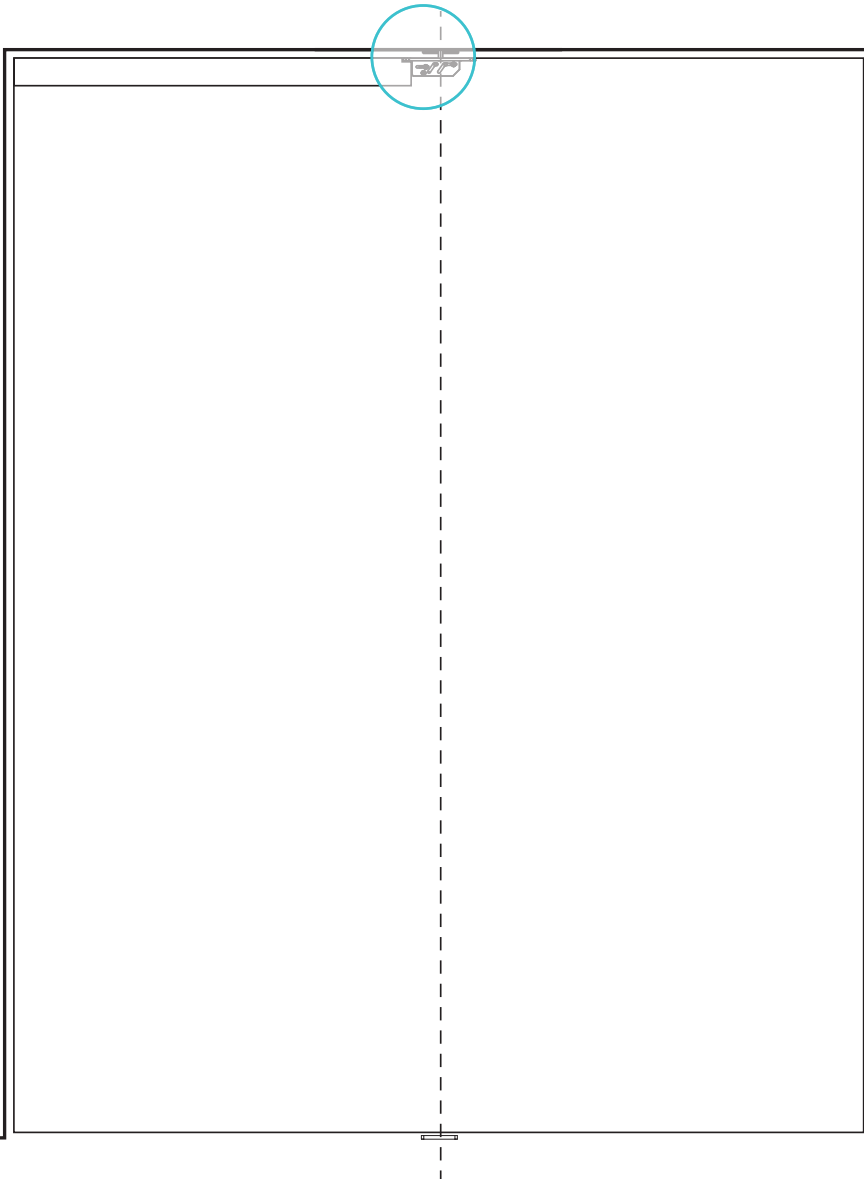


Recommended for use:
Forstner drill bit Ø22 mm
Optional to order



Door seam <---->
3.0 mm - 6.0 mm

HEXAGON GUIDE



The Hexagon Guide can ease the installation of the pivot door. The minimum distance from the pivot point to the edge of the door is 91 mm and the maximum distance is the middle of the door width. In case the pivot point is more than 280 mm from the edge of the door we offer the Hexagon Guide to ease the installation.

HEXAGON GUIDE

SPECIFICATIONS

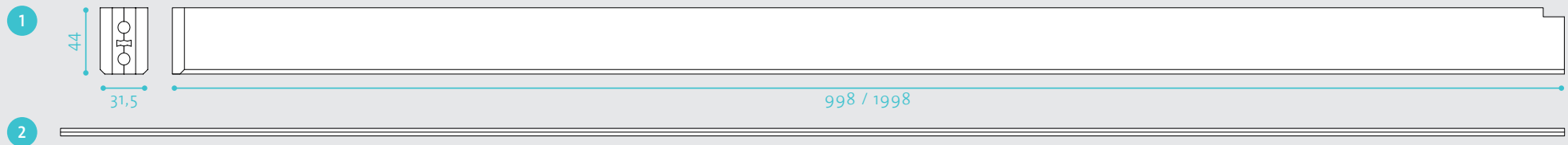
Types	FritsJurgens Hexagon Guide - 1 m (706000) FritsJurgens Hexagon Guide - 2 m (706200)
Dimensions	1M: 998 x 31.5 x 44 mm 2M: 1998 x 31.5 x 44 mm

FOR TYPES OF DOORS

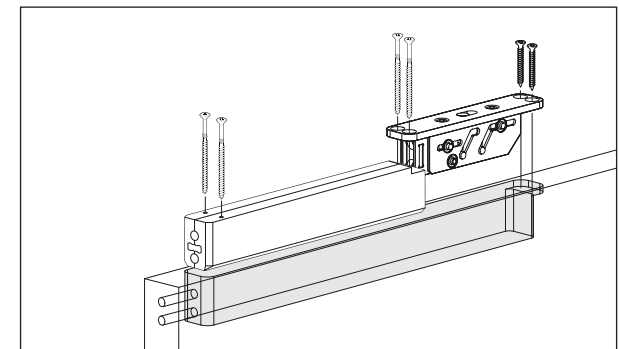
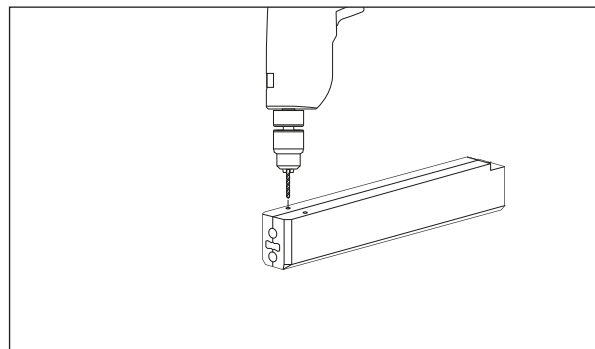
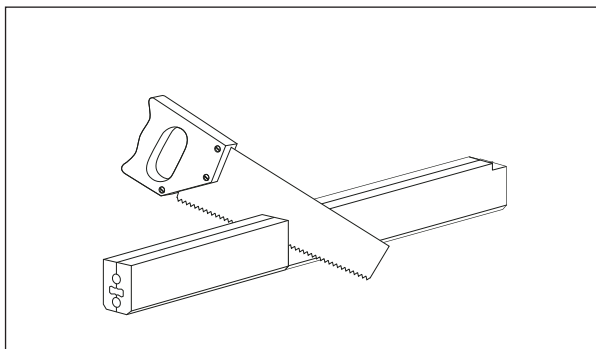
Door acting	Double-action Single-action
Weight capacity	0-500 KG
Door width	Unlimited
Door height	Unlimited
Pivot point	Min. 280 mm from pivot point to short side
Min. door thickness	40 mm

HEXAGON GUIDE COMPONENTS

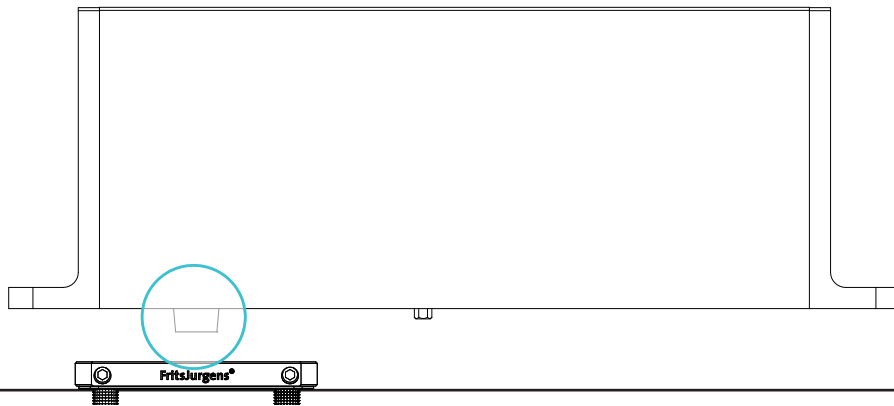
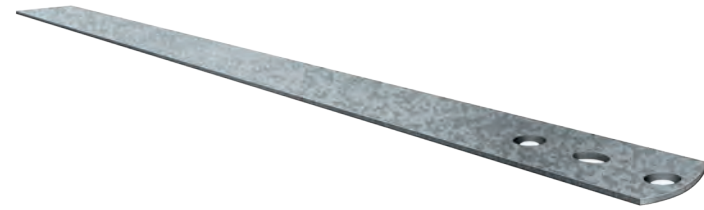
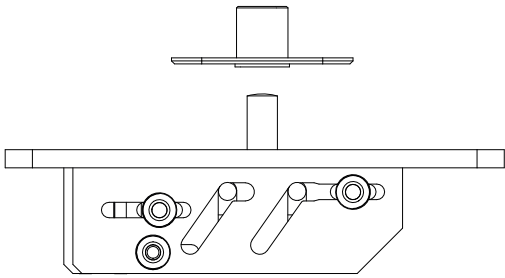
1. Hexagon Guide
2. Hexagon key



INSTALLATION



AXLE WRENCH



When installing a door fitted with System M, it is very important that the door is installed in its open position. This can be accomplished by using the Axle Wrench to rotate the oval spindle in the bottom of the System M 90°, pointing the arrow toward the direction the door will be opening (0° position). In case of frequent use it is possible to mount the floor plate (art. 400701) on the Axle Wrench.

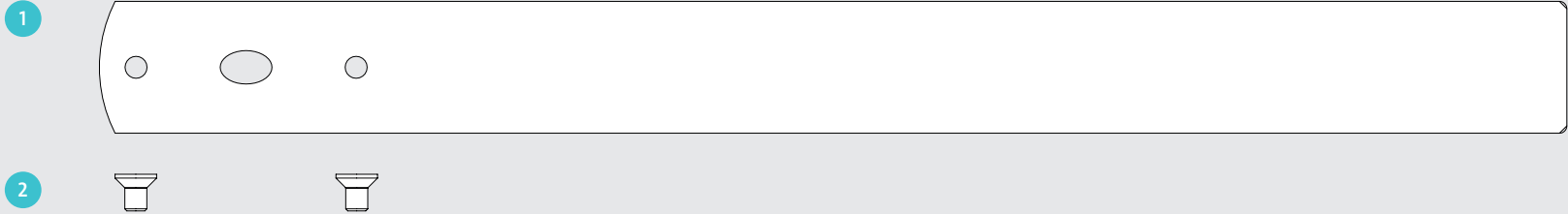
AXLE WRENCH

SPECIFICATIONS

Types	FritsJurgens Axle Wrench (500503)
Dimensions	400 x 36 x 3 mm

AXLE WRENCH COMPONENTS

- 1. Axle Wrench
- 2. 2x M6 fixing screws (in case of frequent use it is possible to mount the floor plate on the Axle Wrench).



INSTALLATION

