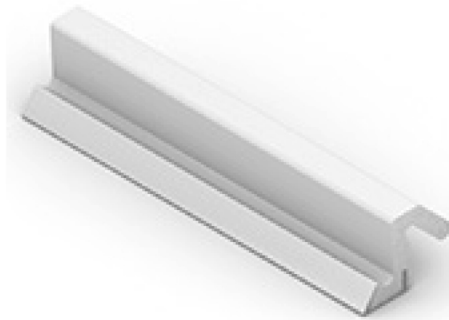
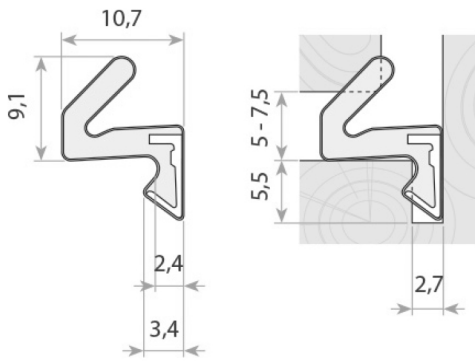


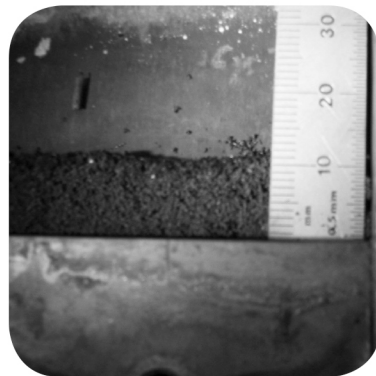


# Qlon Aquamac 21: timber window and door kerf and fire retardant



AQ21BFR Fire Retardant and Intumescent

- Tested to 550 °C ASTM D635 (equivalent to ISO 1210, IEC 60695-11-10, IEC 60707 UL94HB) and BS 476 smoke tested, passed BAL



20 minutes of 550 °C



Code	Colour	Gap Seal mm	Roll Metre
AQ21BLK	Black	4.00-7.50	250
AQ21BR	Bronze	4.00-7.50	250
AQ21W	White	4.00-7.50	250
AQ21BE	Beige	4.00-7.50	250
AQ21BFR	Black FR	4.00-7.50	250
AQ33BLK	Black	4.00-9.00	200
AQ33BR	Bronze	4.00-9.00	200
AQ33W	White	4.00-9.00	200
AQ33BE	Beige	4.00-9.00	200
AQ48BLK	Black	2.00-3.00	350
AQ48BR	Bronze	2.00-3.00	350
AQ48W	White	2.00-3.00	350
AQ48BE	Beige	2.00-3.00	350
AQ63BLK	Black	3.50-5.50	300
AQ63BR	Bronze	3.50-5.50	300
AQ63W	White	3.50-5.50	300
AQ63BE	Beige	3.50-5.50	300
AQ89BLK	Black	5.00-13.00	2.1 length
AQ89BR	Bronze	5.00-13.00	2.1 length
AQ89W	White	5.00-13.00	2.1 length
AQ89BE	Beige	5.00-13.00	2.1 length
AQ109BLK	Black	3.50-5.50	250
AQ109BR	Bronze	3.50-5.50	250
AQ109W	White	3.50-5.50	250
AQ109BE	Beige	3.50-5.50	250



1 / 16 Arrenway Drive, Albany, Auckland. Ph 09 476 4008 fax  
09 476 4008 [www.uniquehardware.co.nz](http://www.uniquehardware.co.nz)