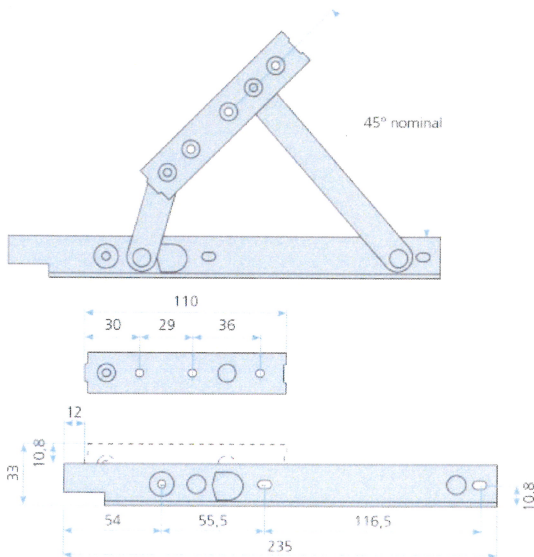
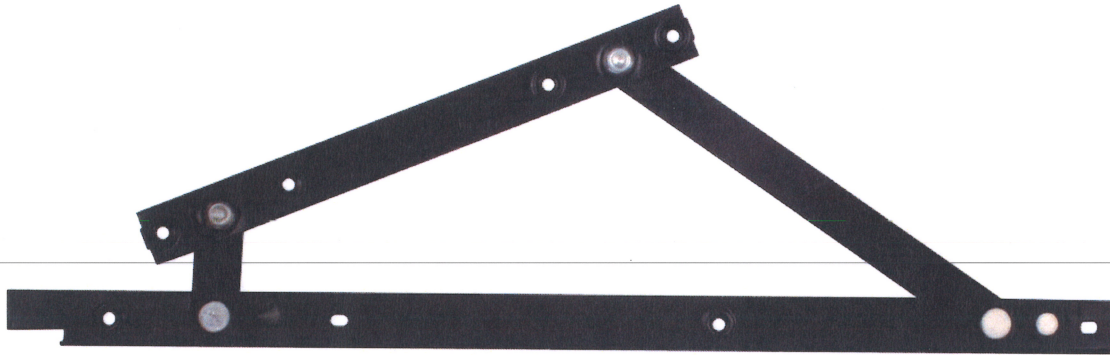


ALUMINIUM FRICTION STAYS: AWNING AND CASEMENT WINDOWS

A range of aluminium friction stays designed to provide support for standard sashes.

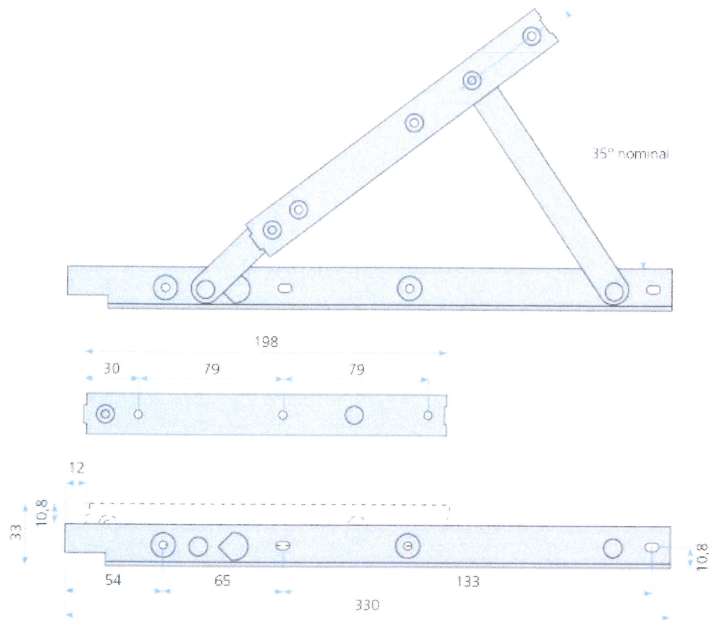
- Available in different sizes for sash weights of up to 43 kg for awning and 20 kg for casement
- Non-friction options available
- Available in black only

SCHLEGEL HARDWARE



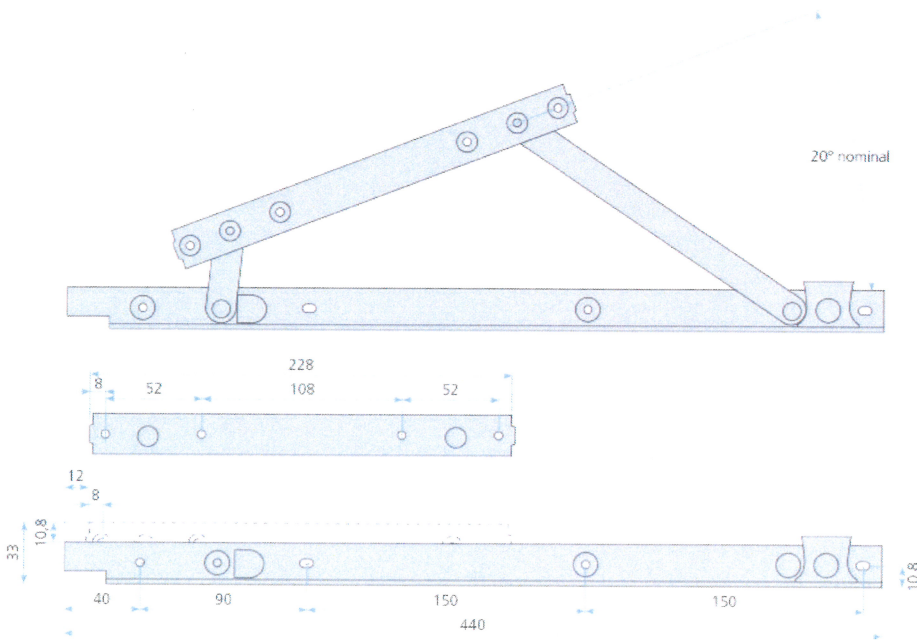
Code	Window	Stay length (mm)	Stack height (mm)	Max sash weight (kg)	Max sash height (mm)	Opening angle (°)
BP235B	Awning (Friction)	235	13	6	750	45
BP235BNF	Awning (Non-friction)	235	13	6	750	45

* Colour Black



Code	Window	Stay length (mm)	Stack height (mm)	Max sash weight (kg)	Max sash height (mm)	Opening angle (°)
BP335B	Awning (Friction)	330	13	9	1000	35
BP335BNF	Awning (Non-friction)	330	13	9	1000	35

* Colour Black



Code	Window	Stay length (mm)	Stack height (mm)	Max sash weight (kg)	Max sash height (mm)	Opening angle (°)
BP440B	Awning (Friction)	440	13	15	1800	20
				20	1500	20
				43	1200	20
BP440BNF	Awning (Non-friction)	440	13	15	1800	20
				20	1500	20
				43	1200	20

* Colour Black