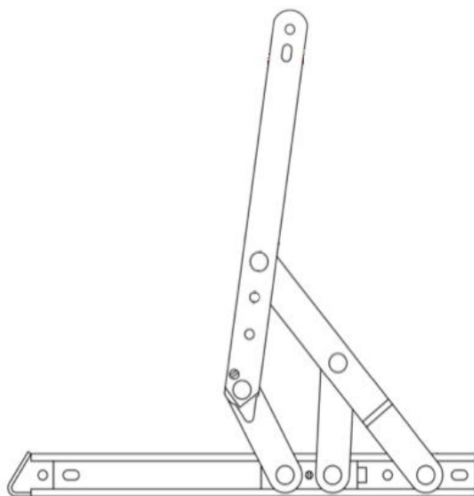


Bristol Friction Stays - Selection Data

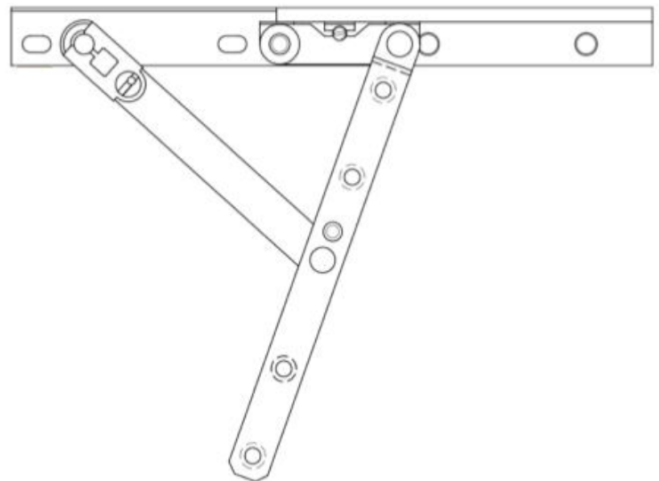


Glass weight calculation: 2.5kg per mm of thickness per square meter
 Example: 10mm glass equals 25kg per square meter

Part Number	Model	Cavity Rebate	Sash Height mm	Sash Width mm	Sash Weight kg	Opening Angle Deg	
Awning Windows							
13.446	Bristol T Stainless BT200	10 mm	530	900	6	70 °	
13.447	Bristol T Stainless BT300	10 mm	700	900	7	90 °	
13.448	Bristol T Stainless BT400	10 mm	990	900	9.5	90 °	
13.449	Bristol T Stainless BT500	10 mm	1200	900	9.5	90 °	
13.440	Bristol + 304 4 Bar BP8TH	13 mm	350	n/a	12	73 °	
13.441	Bristol + 304 4 Bar BP10TH	13 mm	450	n/a	14	84 °	
13.442	Bristol + 304 4 Bar BP12TH	13 mm	550	n/a	16	87 °	
13.443	Bristol + 304 4 Bar BP16TH	13 mm	800	n/a	20	60 °	
13.444	Bristol + 304 4 Bar BP20TH	13 mm	1200	n/a	24	45 °	
13.445	Bristol + 304 4 Bar BP24TH	13 mm	1200	n/a	35	40 °	
13.450	Bristol + 304 4 Bar Heavy Duty BP10HD	15.5 mm	762	n/a	50	82 °	
13.451	Bristol + 304 4 Bar Heavy Duty BP16HD	15.5 mm	1120	n/a	63	83 °	
13.452	Bristol + 304 4 Bar Heavy Duty BP22HD	15.5 mm	1321	n/a	74	83 °	
13.453	Bristol + 304 4 Bar Heavy Duty BP26HD	16.5 mm	1800	n/a	90	23 °	
Casement Windows							
13.446	Bristol T Stainless BT200 - Casement	10 mm	1350	635	10	70 °	
13.447	Bristol T Stainless BT300 - Casement	10 mm	1350	700	12	90 °	
13.448	Bristol T Stainless BT400 - Casement	10 mm	1350	840	12	90 °	
13.449	Bristol T Stainless BT500 - Casement	Not suitable for Casement Windows					
13.450	Bristol + 304 4 Bar Heavy Duty BP10HD	15.5 mm	n/a	660	34.4	82 °	
13.454	Bristol + 304 4 Bar Casement BP12SH	14 mm	n/a	650	24	87 °	
13.455	Bristol + 304 4 Bar Casement BP16SH	14 mm	n/a	800	30	88 °	
13.451	Bristol + 304 4 Bar Heavy Duty BP16HD	15.5 mm	1120	800	37	83 °	
13.452	Bristol + 304 4 Bar Heavy Duty BP22HD	15.5 mm	n/a	800	42	83 °	



Bristol 4 Bar Stay



Bristol T Series