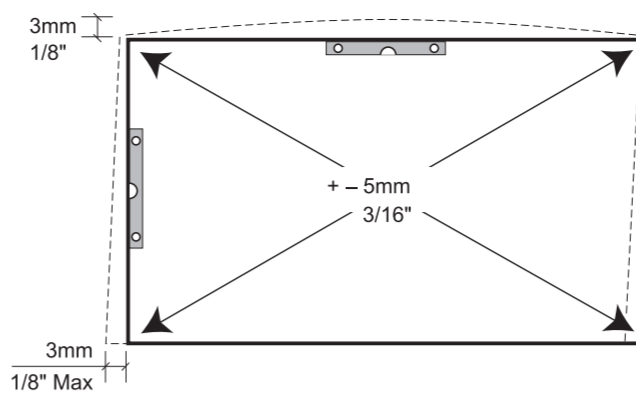


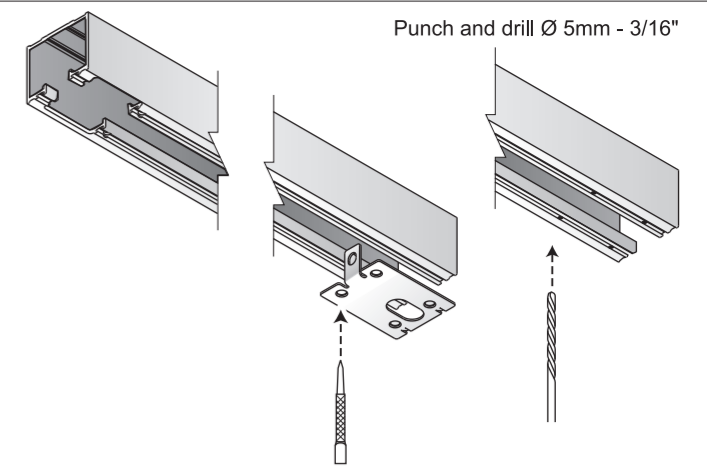
Centor Australia Pty Ltd
1300 CENTOR
mail@centor.com.au
www.centor.com.au

Centor Europe Ltd
+44 (0)121 782 5400
mail@centor.eu
www.centor.eu

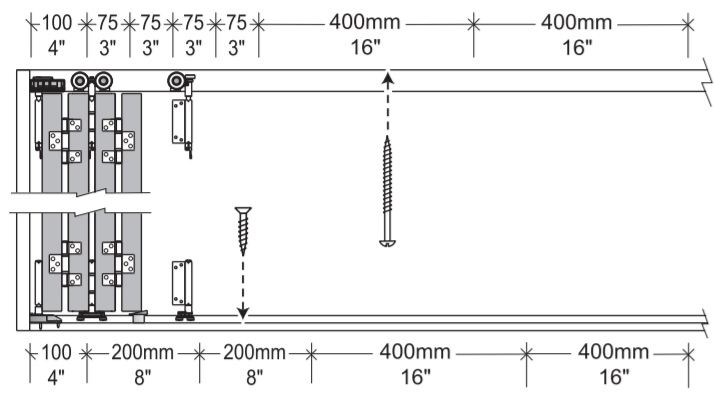
Centor North America Inc.
toll free 866-258-0008
mail@centorarchitectural.com
www.centorarchitectural.com



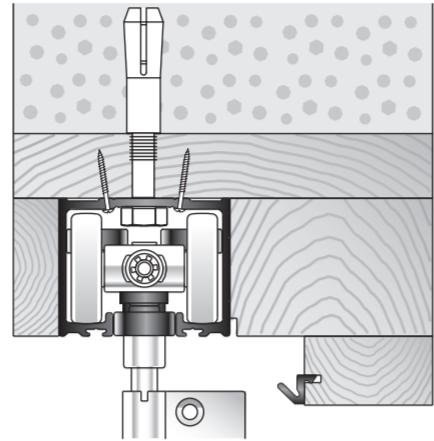
1. INSTALL FRAME



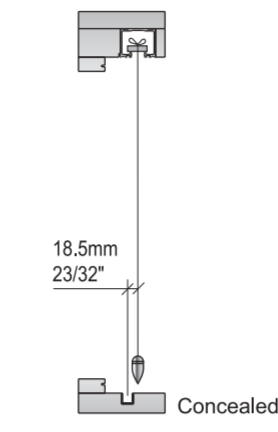
2. BI-PARTING SETS ONLY



3. MAXIMUM TRACK FIXING CENTRES

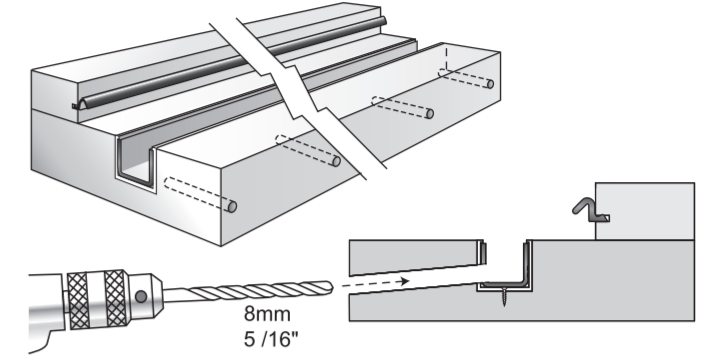


4. TRACK FIXING & CARRIER CLEARANCE

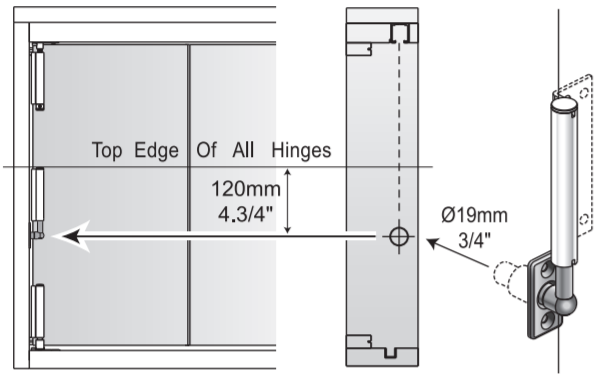


5. FRONT ALIGNMENT

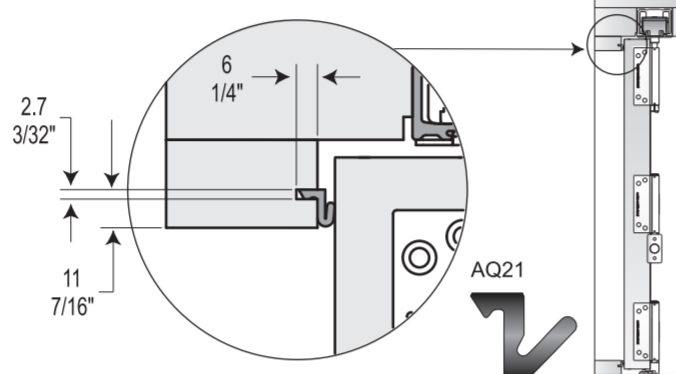
Centor Architectural supplies custom sill solutions for different markets. Please ask your Centor representative for details.



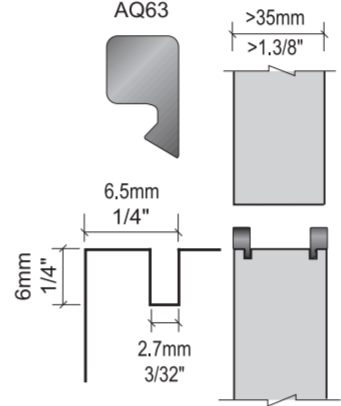
6. CHANNEL FIXING - DRAINAGE



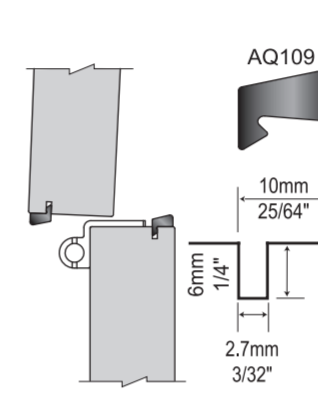
7. WALL PIVOTS



8. PERIMETER SEAL



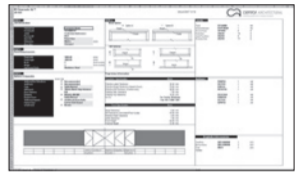
9. PANEL TO PANEL SEAL



10. SERVICE PANEL OPTION

E3 Calc XL™ spreadsheet

Centor E3 Calc XL™ is designed for the E3 folding door system. E3 Calc XL™ will operate on any system running Microsoft Excel 95 or later.

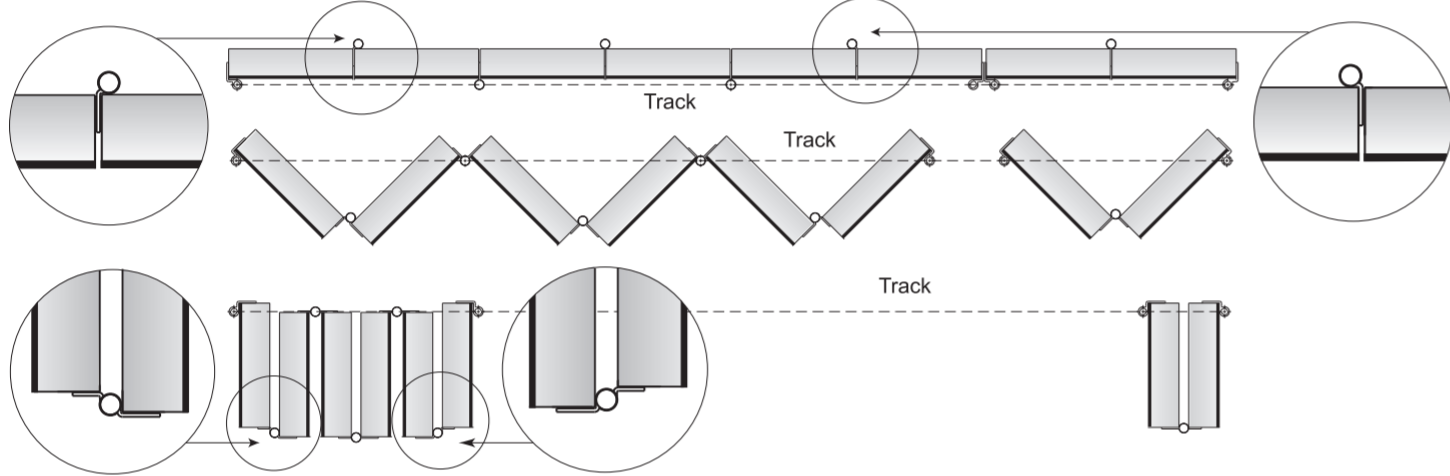


Visit our website to download E3 Calc XL™

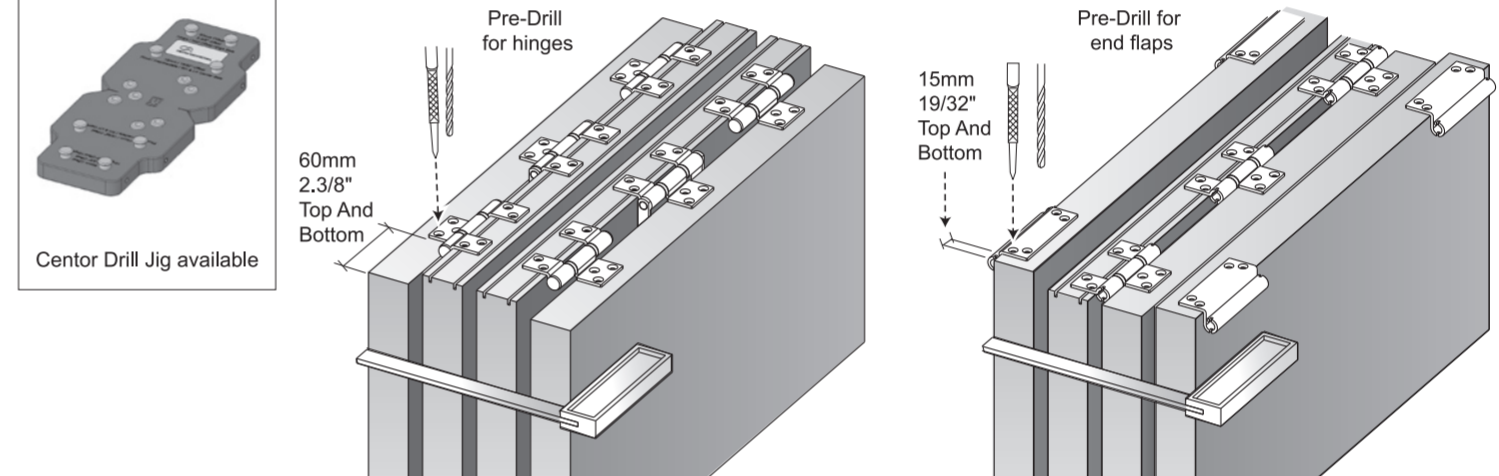
Centor Australia
www.centor.com.au/au/e3_doorcalc.html

Centor Europe
www.centor.com.au/europe/e3_doorcalc.html

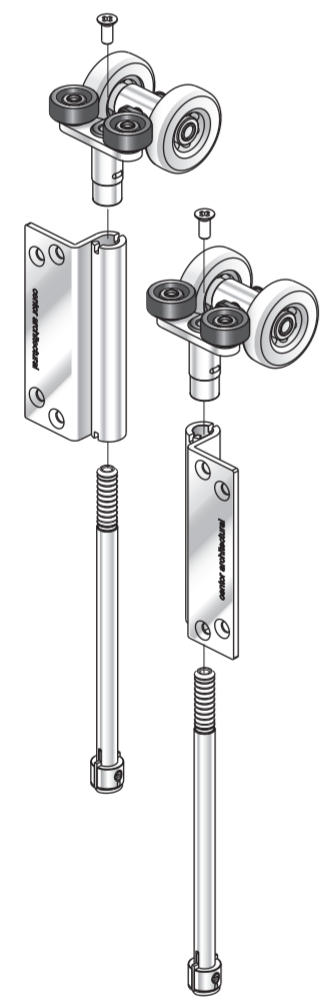
Centor North America
www.centor.com.au/america/e3_doorcalc.html



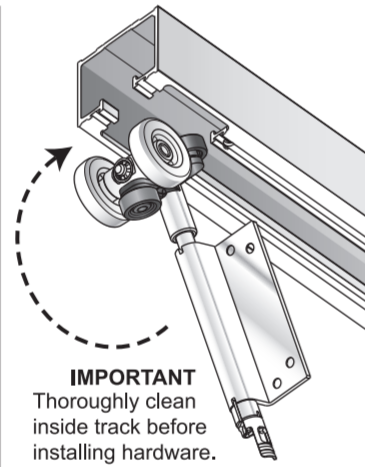
12. PANEL ORIENTATION



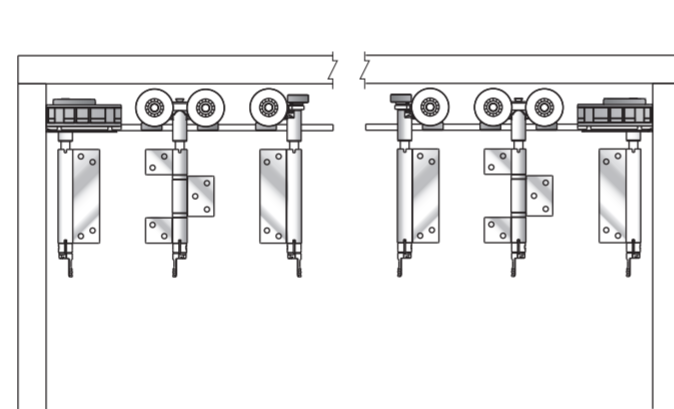
13. HINGES, CARRIERS AND GUIDES



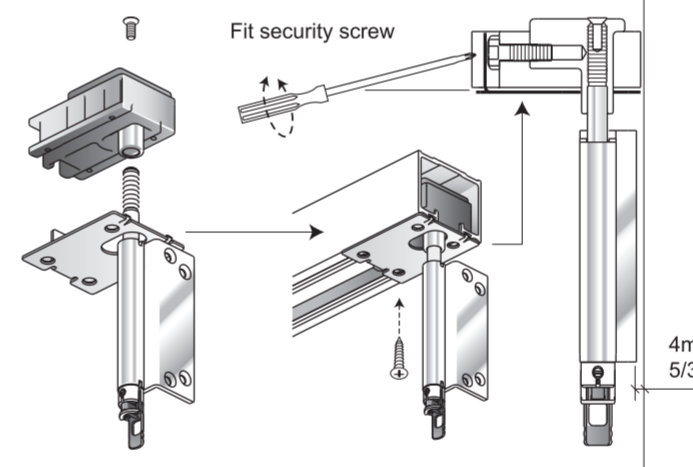
14. ASSEMBLY - REVERSIBLE



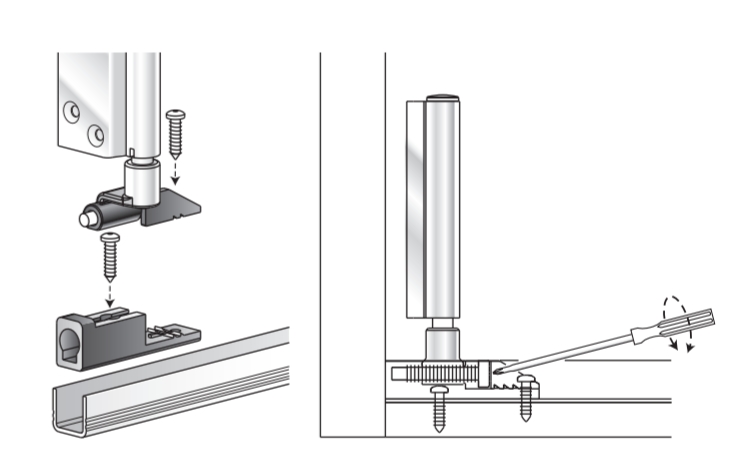
15. INSTALLATION



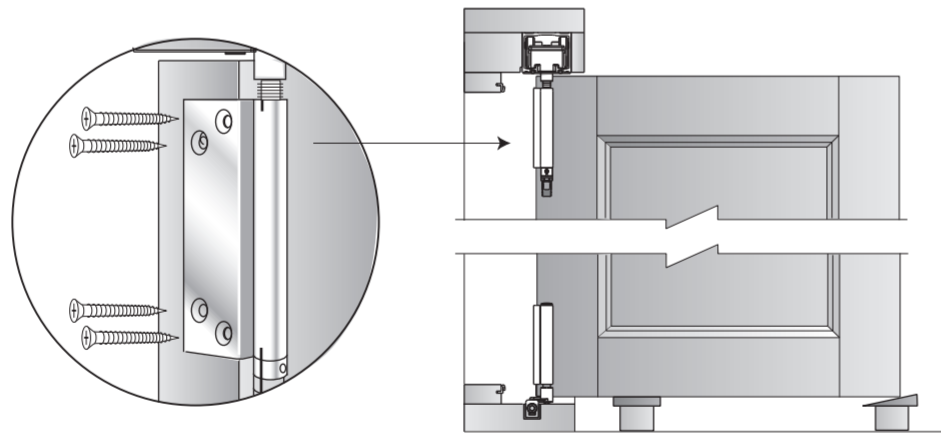
16. HARDWARE ORIENTATION



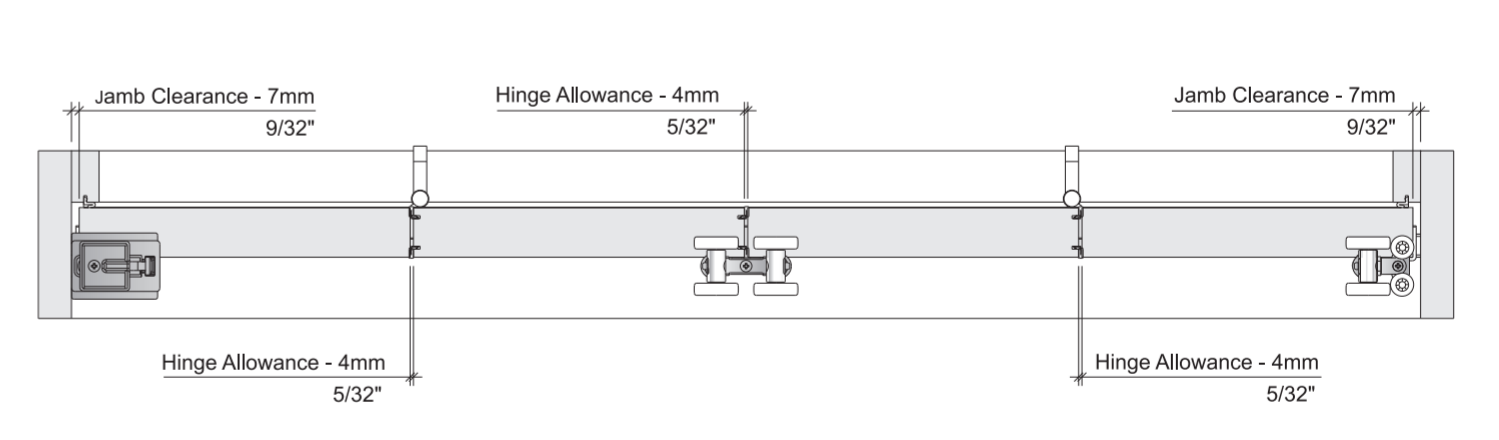
17. TOP PIVOT BLOCK



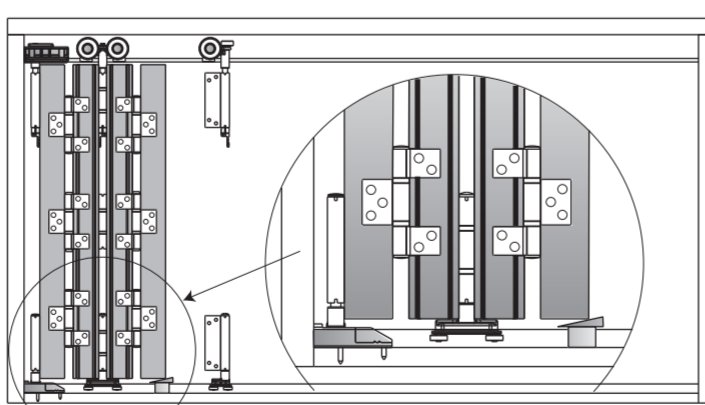
18. BOTTOM PIVOT BLOCK



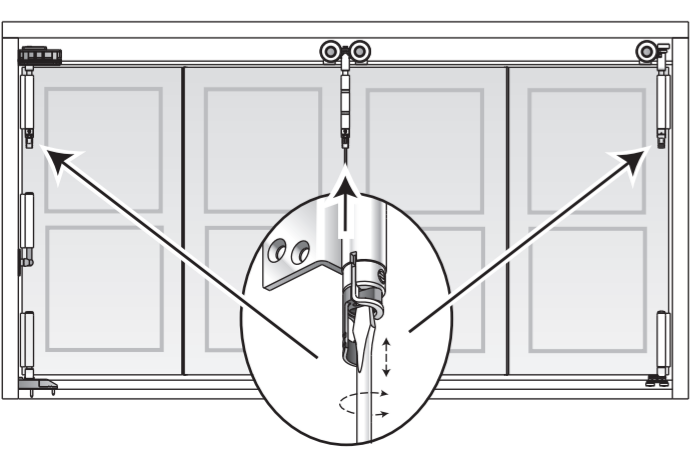
19. FITTING PIVOT PANEL



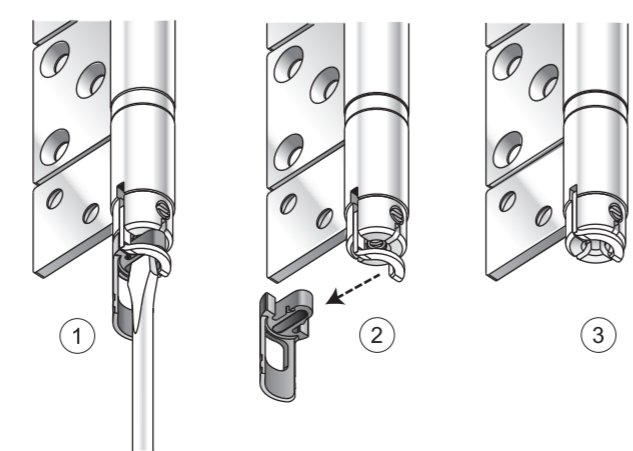
20. PANEL ADJUSTMENT



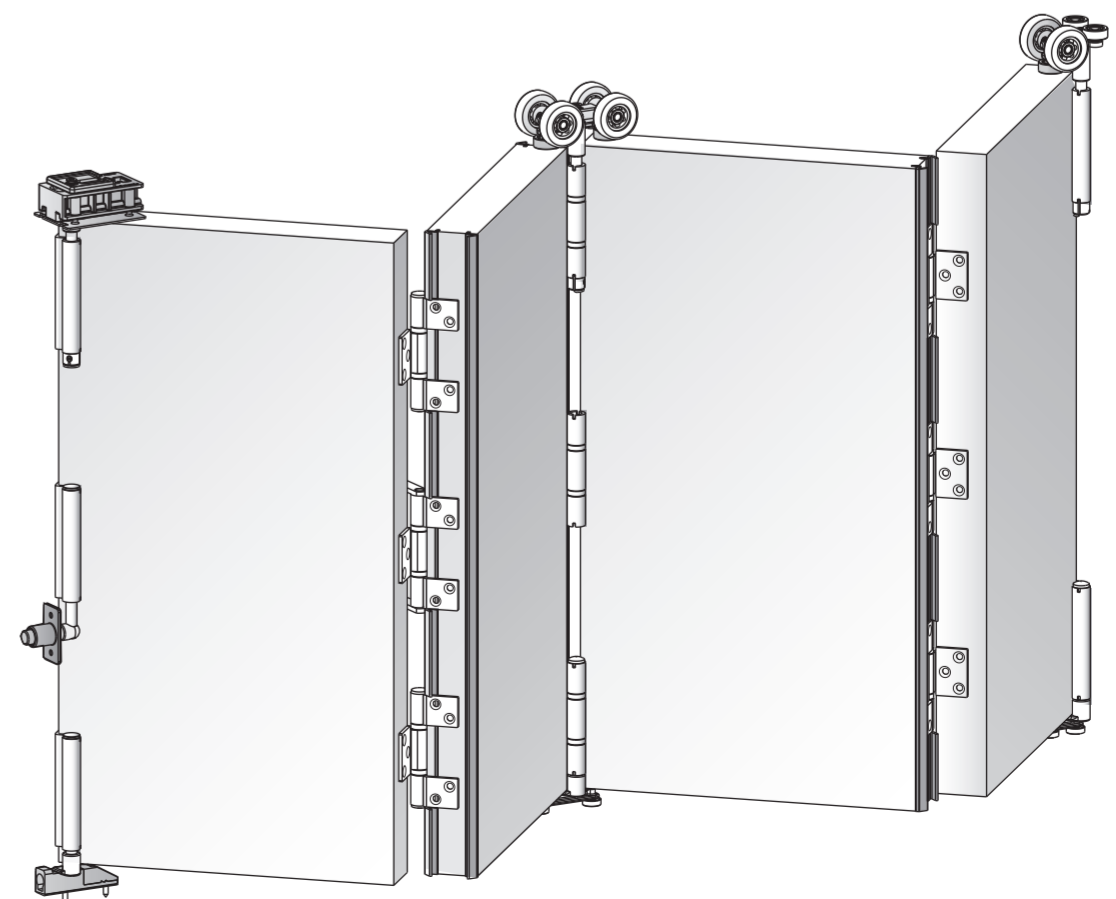
21. ADDING PANELS



22. FINAL ADJUSTMENT



23. REMOVE SHIPPING CLIP



ELEVATION AND OVERVIEW