



SLIDEMASTER ROBE CLASSIC

FOR HOLLOW CORE, SOLID TIMBER AND FORMED PANELS
SYSTEM INFORMATION | TECHNICAL INFORMATION

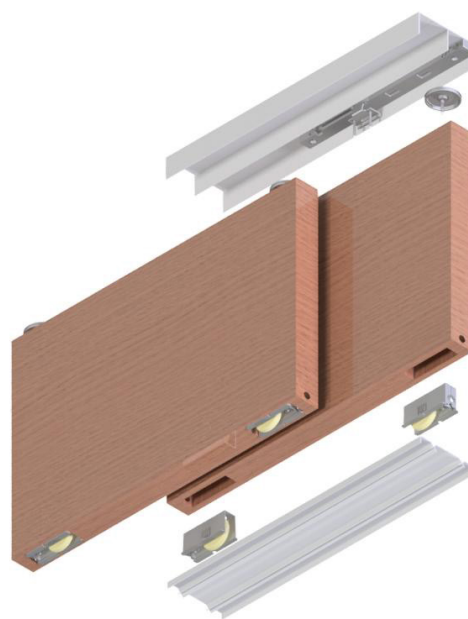
SLIDEMASTER Robe Classic is a simple solution for everyday wardrobe requirements. The system utilises hollow core, solid timber or panel doors with double and triple track options, catering for even the largest of openings. Panels up to 3000 x 1200 x 40mm with a maximum weight of 40kg can be accommodated.

Standard finishes are Natural Anodised and Arctic White. For special colour requirements, a Mill Finish kit allows colour matching to your powdercoat colour of choice.

A simple to install and cost effective soft close option completes the system giving that luxurious feel without a huge price tag. Simple. Effective. Job done.

Each SLIDEMASTER Robe Classic kit contains top track and bottom track plus rollers and guides, conveniently packed in environmentally friendly packaging. Additional roller/guide kits are available if you plan to have multiple doors on the same track. Soft close units and flush pulls are an extra cost option.

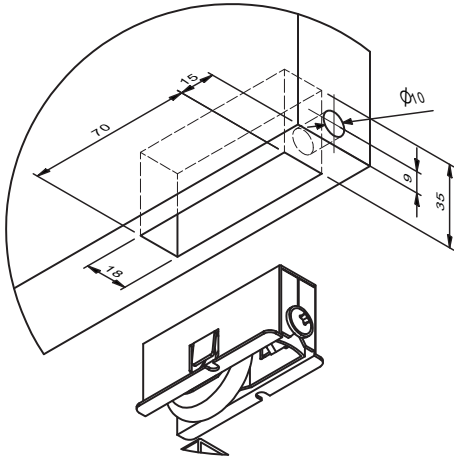
SLIDEMASTER Robe Classic has been designed to be simple to install, saving you time and money.



TECHNICAL INFORMATION

- Panel Thickness: 30-40mm
- Panel Weight: 40kg max

NOTE - Full length tracks available through bulk purchase. Custom cut tracks also available. Contact our sales team for pricing and information.



Track Type	Track Length	Colour	Max Panel Width	Code
Double	1200mm	Arctic White	610mm	SMRCD1200AW
Double	1500mm	Arctic White	760mm	SMRCD1500AW
Double	1800mm	Arctic White	910mm	SMRCD1800AW
Double	2400mm	Arctic White	1200mm	SMRCD2400AW
Triple	1800mm	Arctic White	610mm	SMRCT1800AW
Triple	2250mm	Arctic White	760mm	SMRCT2250AW
Triple	2700mm	Arctic White	910mm	SMRCT2700AW
Double	1200mm	Natural Anodised	610mm	SMRCD1200NA
Double	1500mm	Natural Anodised	760mm	SMRCD1500NA
Double	1800mm	Natural Anodised	910mm	SMRCD1800NA
Double	2400mm	Natural Anodised	1200mm	SMRCD2400NA
Triple	1800mm	Natural Anodised	610mm	SMRCT1800NA
Triple	2250mm	Natural Anodised	760mm	SMRCT2250NA
Triple	2700mm	Natural Anodised	910mm	SMRCT2700NA

Mill and powdercoat kits available upon request. Powdercoat colours must be specified upon ordering. Standard Dulux colours only.

ACCESSORIES

Code

SMRCPANELKIT
SMRCSOFT1530
SMRCSOFT3040
5214SS
5242SS
5304SS

Description

Slidemaster Robe Classic Panel Kit - 2x Rollers, Guides, Screws & Adjustment Caps.
Slidemaster Robe Classic Soft Close Hardware Kit 15-30KG
Slidemaster Robe Classic Soft Close Hardware Kit 30-40KG
Oval Concealed Fix Flush Pull 120x40mm Stainless Steel
Square Concealed Fix Flush Pull 102x51mm Stainless Steel
Long Square Flush Pull 200x37mm Stainless Steel

Order Quantities

Each
Each
Each
Each
Each
Each

Full range of flush pulls in various finishes available. Refer to your sales rep for more information.

