

# SS7000 Series

## Tandem Sliding Door Rollers



Images courtesy of Intext Architectural

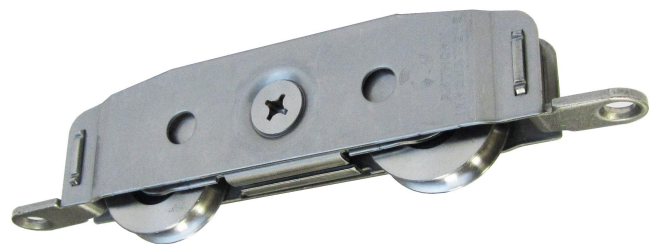
### Anthony Innovations' SS7000 series sliding door roller outperforms its rivals.

The SS7000 series is the latest edition of rollers on offer for the timber door market. Built with high grade sealed precision bearings, these rollers are manufactured to go the distance. The improved design offers less rolling resistance which results in effortless operation. With all stainless components this product provides the ultimate corrosion resistance.

Comes with:

- I 10 year warranty for peace of mind.
- I The confidence of product testing to 50,000 cycles with a 200kg panel weight.

Anthony Innovations has been backing up our client's reputations since 1951 with leading window and door hardware products that perform, year after year. We partner with quality system designers and fabricators throughout the world who want to protect their reputations by only using the best.



1 / 16 Arrenway Drive, Albany, Auckland. Ph 09 476 4008 fax 09 476 4008  
[www.uniquehardware.co.nz](http://www.uniquehardware.co.nz)



**ANTHONY INNOVATIONS**  
Concept. Design. Solution.

# SS7000 Series Tandem Sliding Door Roller

The results will astound you and that is why this Australian designed product is backed by a **10 year warranty**.

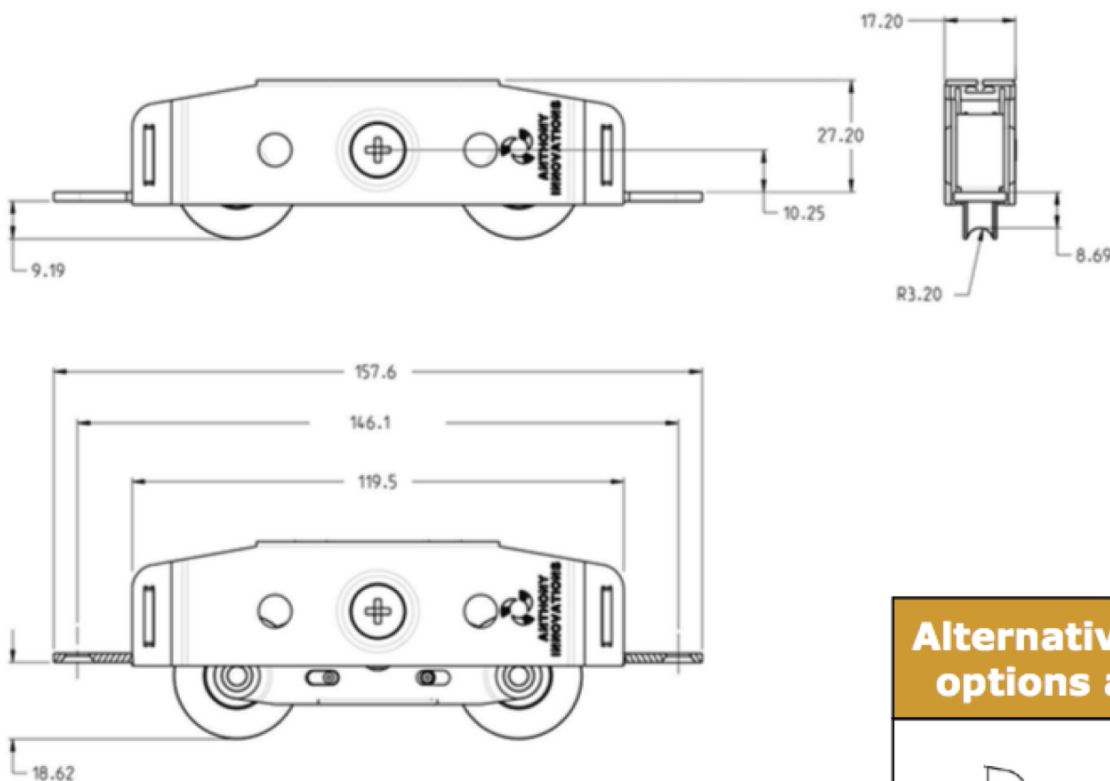
Part Number	Construction				Wheel Diameter (mm)	Load Capacity (kg)	Adjustment (mm)
	Carriage		Wheel				
	Outer	Inner	Bearing	Outer			
SS7000DSGA	Stainless Steel		Stainless Steel	Stainless Steel	31.0	100	9.4
SS7000DSPA			Stainless Steel	Engineered Plastic			
SS7000DSNA			Stainless Steel	Acetal			
SS7000DSND			Plated Steel	Acetal			

## Features:

- | Industry leading bearing design.
- | Stainless Steel components.
- | Adjustable under load.
- | Top mounting spacer blocks optional.

## Benefits:

- | Will support a door weight up to 200kg.
- | Plastic wheels resist track wear.
- | Reduced noise and smoother operation.



**Alternative End tag options available**

