

Flush Pull Handles

Precision machined entirely from extruded aluminium to ensure a highly corrosive resistant handle, for coastal conditions.



Distributed by

Unique Hardware Solutions Limited

www.uniquehardware.co.nz Ph (09) 476 4008

The Zebratti range of flush pull handles have been designed to compliment modern sliding windows and doors.

Refined design, coupled with modern manufacturing techniques, allow our handles to be extremely durable, with exceptional corrosion resistance.

Features

- Machined entirely from 6061 aluminium in house.
- Simple to install.
- Locking flush pull requires a minimum of 40mm thick sections.
- Works with Aluminium and Timber doors.

Handle Surface Finishes

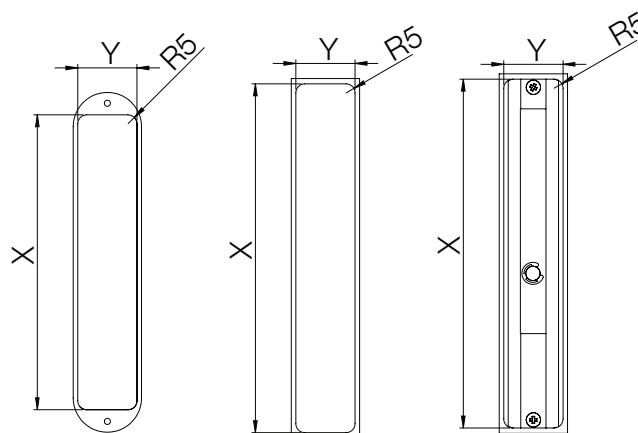
- Satin Chrome
- Black
- Antique Bronze
- Powder Coated

See Available Finish Sheet.
Enquire about custom sizes.

Item Numbers

Item #	Description	Cut Out Size
FP120S	Round, 120mm, powdercoat	95 x 33
FP120SC	Round, 120mm, satin chrome	95 x 33
FP125S	Square, 125mm, powdercoat	119 x 20
FP125SC	Square, 125mm, satin chrome	119 x 20
FP150S	Square, 150mm, powdercoat	144 x 33
FP150SC	Square, 150mm, satin chrome	144 x 33
FP170S	Square, 170mm, powdercoat	164 x 33
FP170SC	Square, 170mm, satin chrome	164 x 33
FP190S	Round, 190mm, powdercoat	163 x 33
FP190SC	Round, 190mm, satin chrome	163 x 33
FP200S	Square, 200mm, powdercoat	194 x 33
FP200SC	Square, 200mm, satin chrome	194 x 33
FL170S	Locking, 170mm, powdercoat	164 x 33
FL170SC	Locking, 170mm, satin chrome	164 x 33
FL200S	Locking, 200mm, powdercoat	194 x 33

Technical Drawing



Locking and Non-Locking Flush Pull Handles

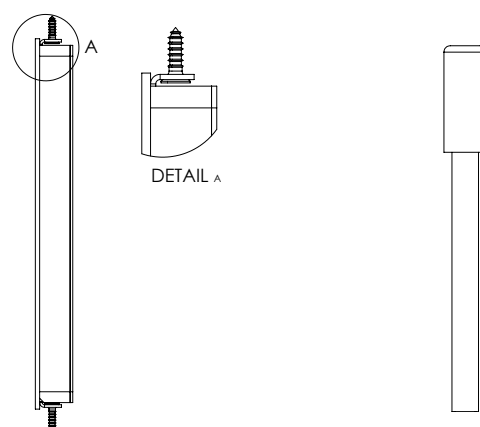


Square

Round

Locking

Accessories



Timber Fixing Kit
(FPMT)

Rod Kit
(FR1600)

